

Design:

- Drill chuck with shank clamping surface and thread but without an adjustment screw
- For clockwise and counterclockwise use

Application:

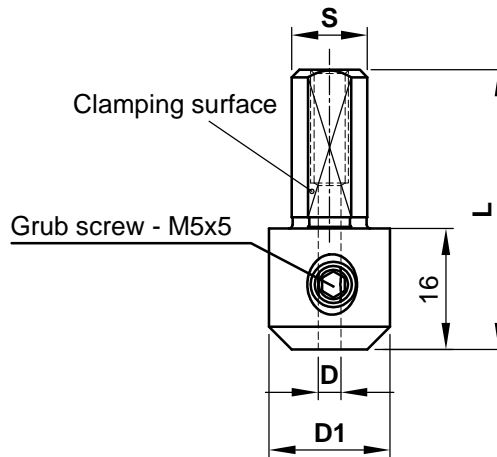
- For mounting the C174 solid TC twist drill

Machine:

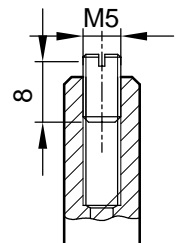
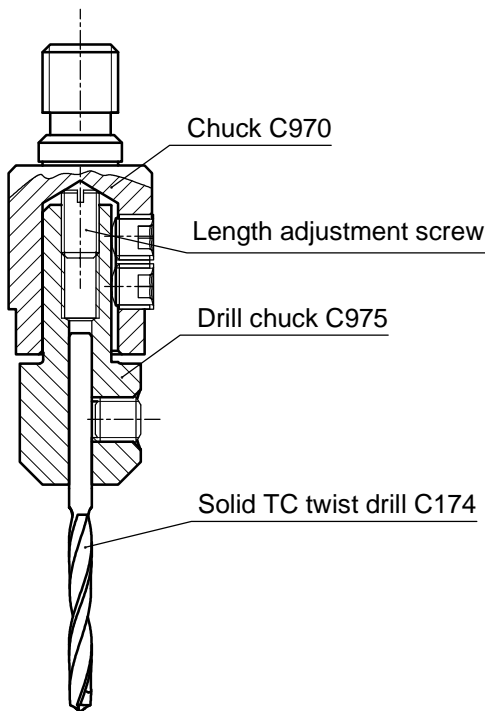
- CNC machining centres

Additional Information:

- With clamping surface




Assembly, scale = 1:1



D	D1	L	S	Ident-No.
2	16	37	10	C975-201637
2.5	16	37	10	C975-251637
3	15	38	8	C975-301538
3	16	37	10	C975-301637
3.5	16	37	10	C975-351637
4	16	37	10	C975-401637
4.5	16	37	10	C975-451637
5	16	37	10	C975-501637

Spare Parts				
Description	Qty.	Dimensions	MBM	Ident-No.
Length adjustment screw set screw	1	M5x8	10	KW.45451.5
Set screw	1	M5x5	10	KW.45462.5

 <p>e-mail:office@aigner-werkzeuge.at www.aigner-werkzeuge.at</p>	MBM.....Minimum Order Quantity	Blattformat: A4 <small>All dimensions in mm</small>
		Zchnng.-Nr. KW.49750.4 00
		C975