

Design:

- Manufactured in heat-treated tool steel
- Hardened and ground
- Finely balanced
- Anti-twist protection of the tool through dowels and / or screws

Application:

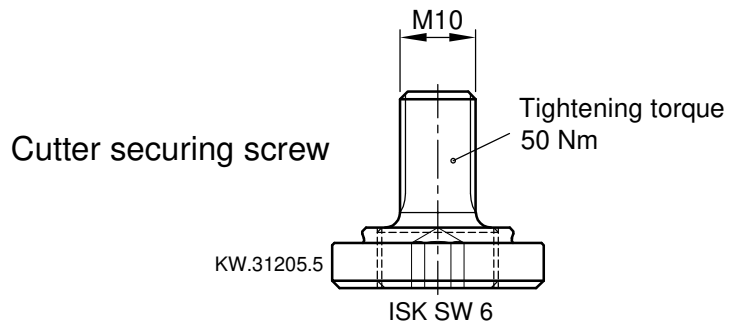
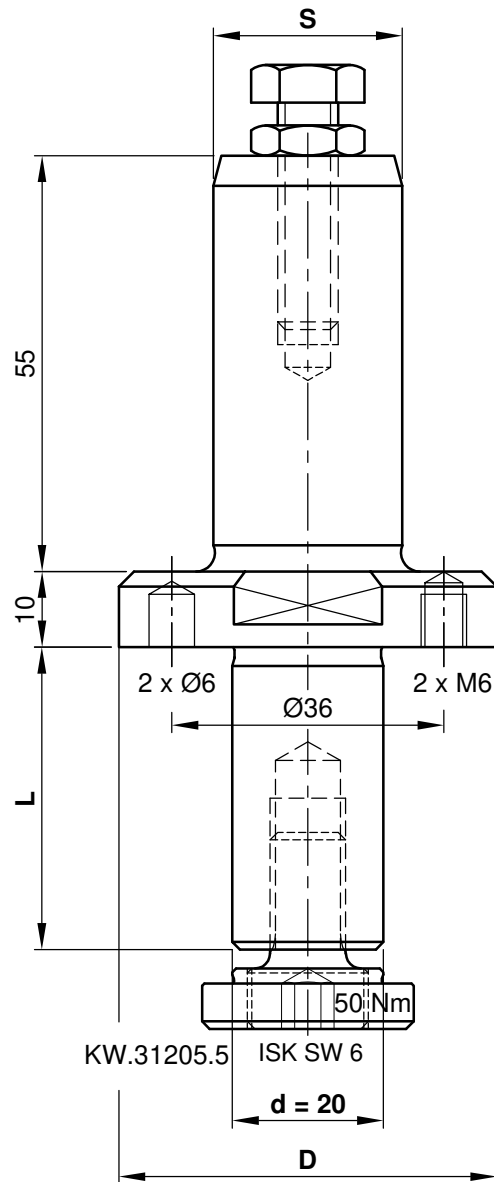
- Clamping of bored tools with 20 mm bore

Machine:

- CNC machining centres


Scope of Supply:

- Cutter arbor
- Length adjustment screw
- Allen key SW6
- Cutter securing screw



D	d	L	S	Ident-No.
50	20	40	25	C940-2040
50	20	55	25	C940-2055

Spare Parts				
Description	Qty.	Dimensions	MBM	Ident-No.
Cutter securing screws d=20	1	M10x26	1	KW.31205.5

 <p>e-mail:office@aigner-werkzeuge.at www.aigner-werkzeuge.at</p>	Blattformat: A4 <small>All dimensions in mm</small>	
	Zchnng.-Nr. KW.49400.4	01
C940		