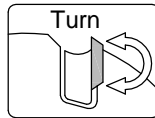
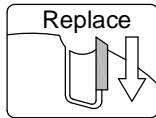


Cutting Material
TC

Number of Teeth
Z1+1

Feed
MEC



Design:

- Tool body in Q & T steel
- Shank fit h6
- TC profile cutter, TC reversible cutter
- Profile cutter with chip groove
(manufacturing technology-related, practical and achievable from R20)

Application:

- Milling of forms, contours and hollows / recesses with a round bottom
- Deeper mouldings and breakthroughs by means of a circular milling strategy
- Interpolated milling via the possibility of higher tool tilt angles

Workpiece material:

- Solid wood and panel materials

Machine:

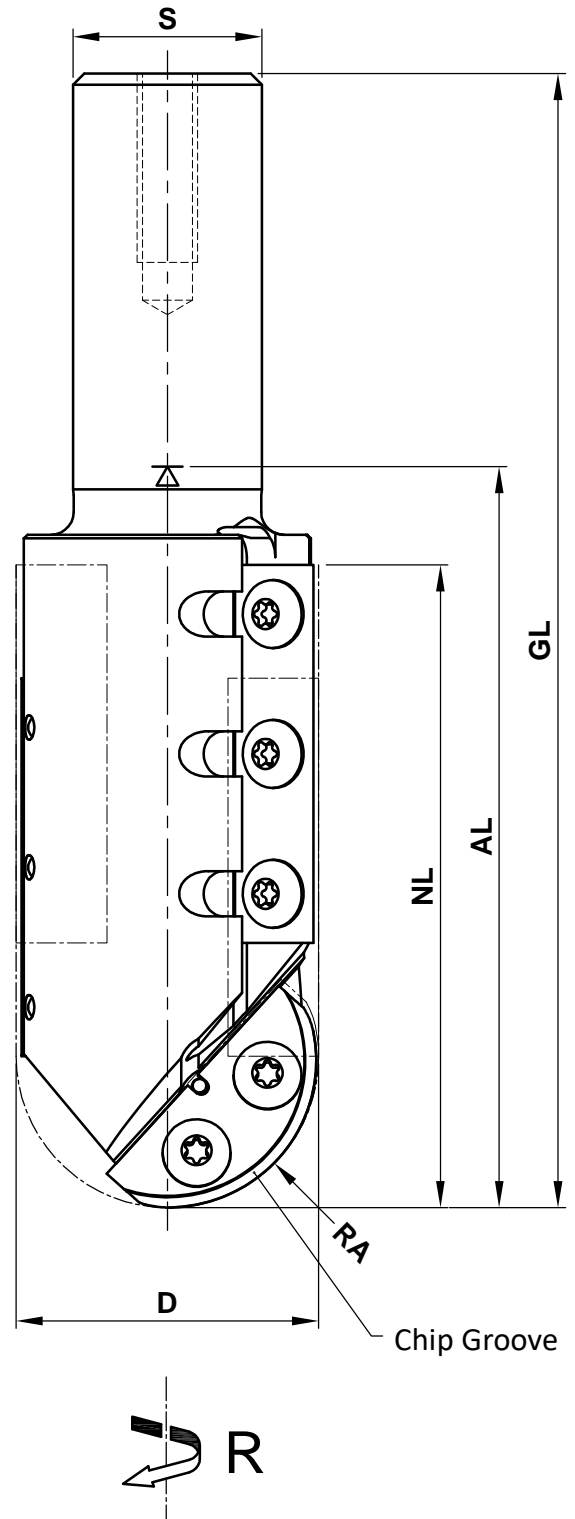
- CNC machining centres

Scope of supply:

- Tool body including profile cutter
- Key with handle Torx T15
- Principally with a length setting screw:
For use with shrink chucks HSK-F 63 (C915) without a length setting screw
- Also optionally assembled (and balanced) (MS):
Assembled in shrink chuck HSK-F 63 (C915):
C835-....-M1
Assembled in collet chuck HSK-F 63 (C910):
C835-....-M2


Special features:

- Profile cutter with chip groove
- Greater joining area with standard reversible cutters



D	RA	NL	AL	GL	S	Z	R/L	n max.	Ident-No.
20	6	43	83	130	20	Z1+1	R	22000	C835-060083R
20	8	43	83	130	20	Z1+1	R	22000	C835-080083R
20	10	43	83	130	20	Z1+1	R	22000	C835-100083R
25	12.5	42.5	78	130	25	Z1+1	R	21000	C835-125078R
30	15	72	145	197	25	Z1+1	R	20000	C835-150145R
40	20	85	98	150	25	Z1+1	R	18500	C835-200098R
45	22.5	85	98	150	25	Z1+1	R	17000	C835-225098R
50	25	85	103	155	25	Z1+1	R	16500	C835-250103R
55	27.5	87.5	98	150	25	Z1+1	R	16000	C835-275098R
60	30	89	95	147	25	Z1+1	R	15500	C835-300095R
70	35	75	83	135	25	Z1+1	R	15000	C835-350083R
80	40	70	78	130	25	Z1+1	R	14000	C835-400078R

Spare Parts				
Description	Qty.	Dimensions	MBM	Ident-No.
Profile Cutter for C835-060083R	1	19x15x2.0	2	PM.47217.5/U35
Profile Cutter for C835-080083R	1	19x15x2.0	2	PM.47218.5/U35
Profile Cutter for C835-100083R	1	19x15x2.0	2	PM.47219.5/U35
Profile Cutter for C835-125078R	1	20x15x2.0	2	PM.47220.5/U35
Profile Cutter for C835-150145R	1	30x16x2.0	2	PM.47574.5/U35
Profile Cutter for C835-200098R	1	35x16x2.0	2	PM.47882.5/U35
Profile Cutter for C835-225098R	1	35x16x2.0	2	PM.47883.5/U35
Profile Cutter for C835-250103R	2	35x15x2.0	2	PM.47877.5/U35
Profile Cutter for C835-275098R	2	30x15x2.0	2	PM.47884.5/U35
Profile Cutter for für C835-300095R	2	35x17x2.0	2	PM.48452.5/U35
Profile Cutter for C835-350083R	2	35x15x2.0	2	PM.47885.5/U35
Profile Cutter for C835-400078R	2	35x15x2.0	2	PM.47886.5/U35
Jointing Cutter for C835-060083R	1	30x12x1.5	10	WMF30x12/U
Jointing Cutter for C835-080083R	1	30x12x1.5	10	WMF30x12/U
Jointing Cutter for C835-100083R	1	30x12x1.5	10	WMF30x12/U
Jointing Cutter for C835-125078R	1	30x12x1.5	10	WMF30x12/U
Jointing Cutter for C835-150145R	2	30x12x1.5	10	WMF30x12/U
Jointing Cutter for C835-200098R	2	50x12x1.7	10	WMN50x12/U
Jointing Cutter for C835-225098R	2	50x12x1.7	10	WMN50x12/U
Jointing Cutter for C835-250103R	2	50x12x1.7	10	WMN50x12/U
Jointing Cutter for C835-275098R	2	50x12x1.7	10	WMN50x12/U
Jointing Cutter for C835-300095R	2	50x12x1.7	10	WMN50x12/U
Jointing Cutter for für C835-350083R	2	40x12x1.5	10	WMF40x12/U
Jointing Cutter for C835-400078R	2	30x12x1.5	10	WMF30x12/U
Clamping Screw for PM/WM	3	M4x6 (head D9) Torx T15	10	KW.44237.5

 <p>e-mail:office@aigner-werkzeuge.at www.aigner-werkzeuge.at</p>	Z.....No. of teeth	Blattformat: A4	<small>All dimensions in mm</small> Zchnng.-Nr. KW.48350.4 01
	n max.....Maximum Rotational Speed (rpm)	MBM.....Minimum Order Quantity	