

Design:

- Hollow taper shank in accordance with DIN 69893 HSK-E 63
- Manufactured in hardened and tempered tool steel
- Surface bright polished
- For bore tolerances H6 or H7
- Cutter clamping screw with double thread

Application:

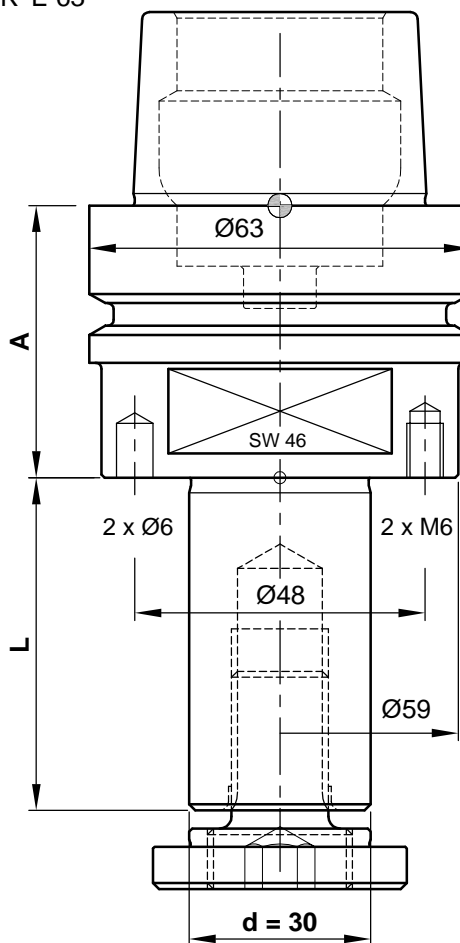
- The clamping of drilling tools
30mm bore
- Observe the weight and diameter specifications of the machine manufacturer and the maximum permissible rotational speed
- Suitable for clockwise and anti-clockwise running

Machine:

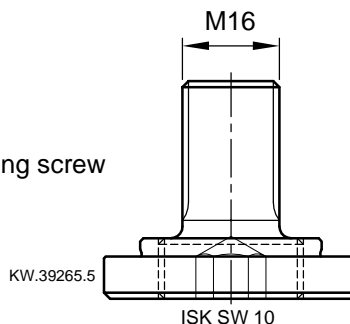
- CNC machining centres

Scope of supply:

- Cutter arbor
- Cutter clamping screw




Cutter clamping screw



| A | d | L | ME | n max. | Ident-No. |
|----|----|-----|-----|--------|--------------|
| 45 | 30 | 55 | 1.5 | 24000 | C805-4530055 |
| 45 | 30 | 80 | 1.6 | 24000 | C805-4530080 |
| 45 | 30 | 100 | 1.7 | 24000 | C805-4530100 |
| 45 | 30 | 140 | 1.8 | 24000 | C805-4530140 |

| Spare parts | | | | |
|-----------------------|------|------------|-----|------------|
| Description | Qty. | Dimensions | MBM | Ident-No. |
| Cutter clamping screw | 1 | M16x36 | 1 | KW.39265.5 |

| | | |
|--|----------------------------|--|
|  <p>e-mail:office@aigner-werkzeuge.at www.aigner-werkzeuge.at</p> | ME.....Weight (kg) | Blattformat: A4 <small>All dimensions in mm</small> |
| | n max.....Max. Speed (rpm) | |
| | | C805-45 |

Design:

- Hollow taper shank in accordance with DIN 69893 HSK-E 63
- Manufactured in hardened and tempered tool steel
- Surface bright polished
- For bore tolerances H6 or H7
- Cutter clamping screw with double thread

Application:

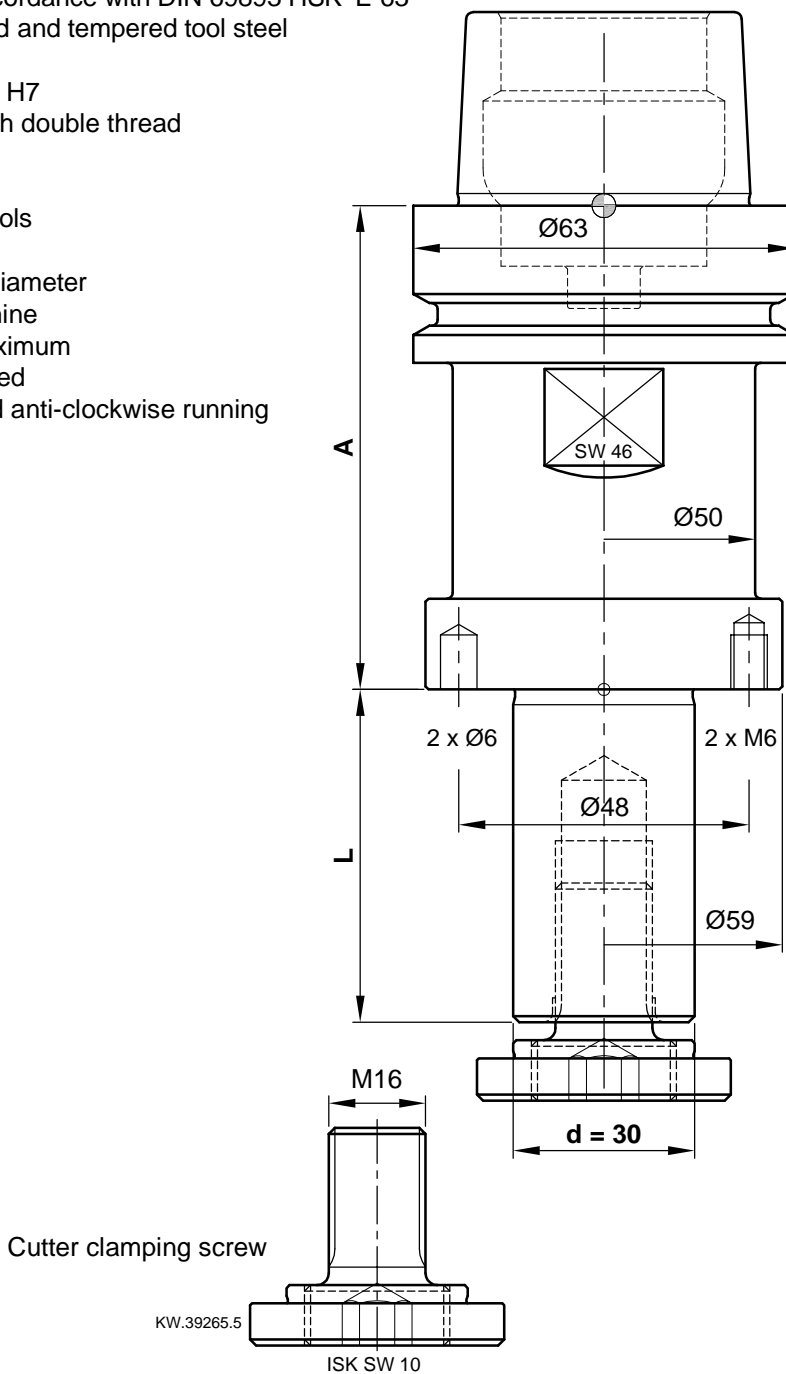
- The clamping of drilling tools
30mm bore
- Observe the weight and diameter specifications of the machine manufacturer and the maximum permissible rotational speed
- Suitable for clockwise and anti-clockwise running

Machine:

- CNC machining centres


Scope of supply:

- Cutter arbor
- Cutter clamping screw



| A | d | L | ME | n max. | Ident-No. |
|----|----|-----|-----|--------|--------------|
| 80 | 30 | 55 | 2.0 | 24000 | C805-8030055 |
| 80 | 30 | 80 | 2.1 | 24000 | C805-8030080 |
| 80 | 30 | 100 | 2.2 | 24000 | C805-8030100 |

| Spare parts | | | | |
|-----------------------|------|------------|-----|------------|
| Description | Qty. | Dimensions | MBM | Ident-No. |
| Cutter clamping screw | 1 | M16x36 | 1 | KW.39265.5 |

| | | |
|--|----------------------------|--|
|  <p>e-mail:office@aigner-werkzeuge.at www.aigner-werkzeuge.at</p> | ME.....Weight (kg) | Blattformat: A4 <small>All dimensions in mm</small> |
| | n max.....Max. Speed (rpm) | |
| | | C805-80 |