

# DP-Rounding/Bevel/Joining Cutter Set Konstantin®-Speedy C491-6

Cutting Material  
**DP**

Feed  
**MEC**

Number of Teeth  
**Z 2**

**Design:**

- 3-part cutter set
- No. of teeth = 2
- Joining cutter head and bevel / rounding cutters with replaceable DP knives
- Tool body in light alloy
- Cutting elements fitted with DP (DIA)
- Extreme shear angle in the joining area (54°)
- Low-noise design
- 2-3 times resharpenable
- With TC safety cutter

**Application:**

- For the rounding / bevelling of panel materials on CNC milling machines

**Workpiece Material:**

- Panel materials

**Machine:**

- CNC machining centres

**Scope of Supply:**

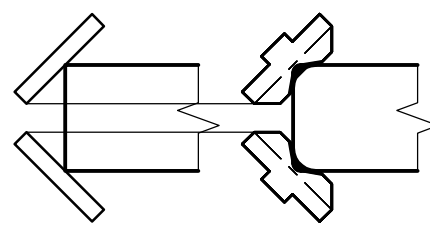
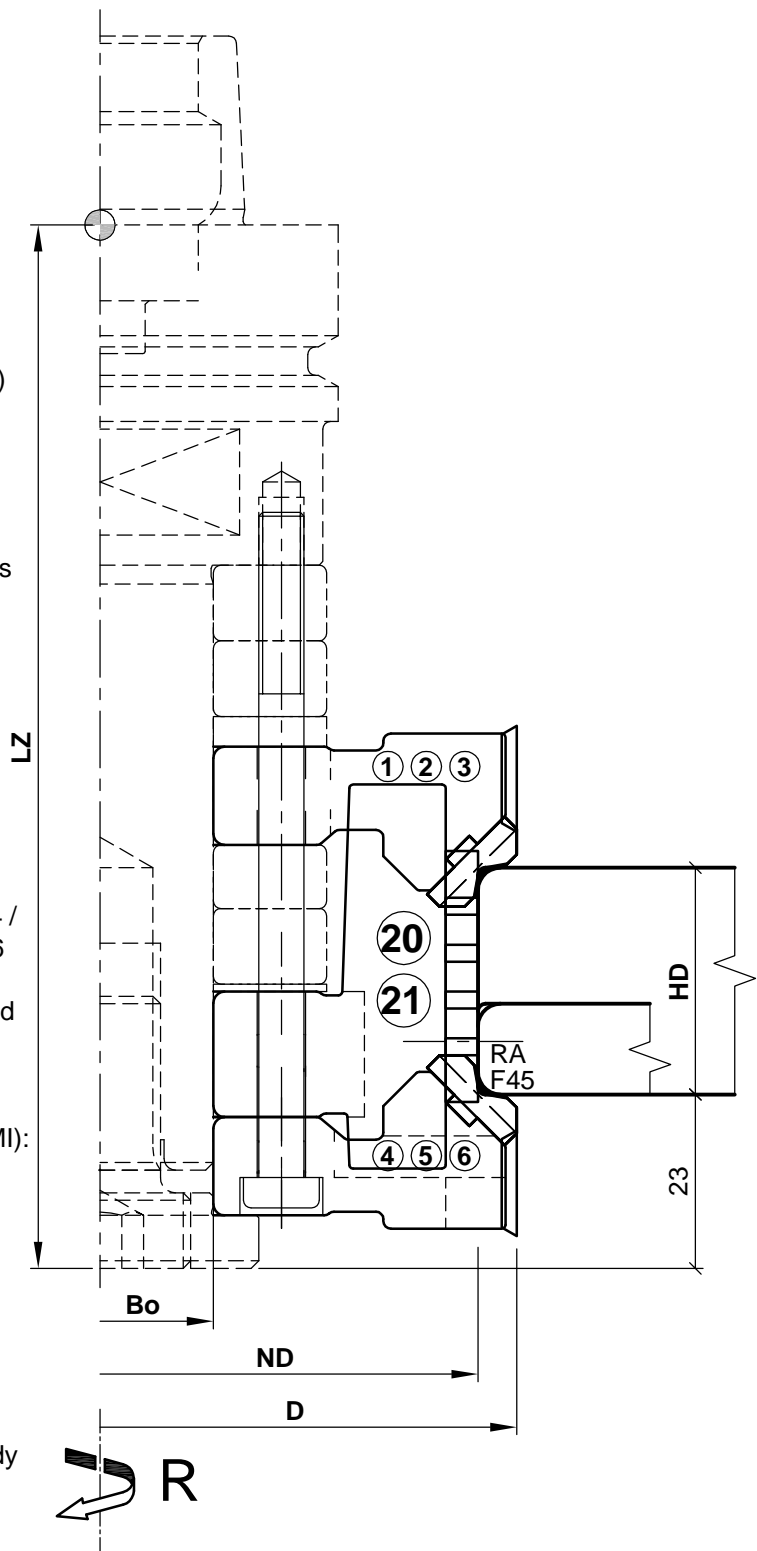
- Tool body including DP cutters
- Bevel / rounding cutter R2 with Nr.1 and Nr.4 / R5 with Nr.2 and Nr.5 / R6 with Nr.3 and Nr.6 pre-assembled
- If another knife is to be fitted, it must be stated at the time of order
- Handle key Torx T25
- Handle key Torx T20
- Optionally also assembled (and balanced) (MI):  
Assembled on milling arbor  
HSK-F 63 (C905-4530080): C491-6...-F1  
Assembled on milling arbor  
HSK-F 63 (C905-8030080): C491-6...-F2

**Special Features:**

- Same zero diameter (run-off edge) for all radii
- Different radii available
- Safety cutter for the protection of the tool body Against damage

**Additional Information:**

- For individual cutters, see C491-1



**Aigner**  
WERKZEUGE  
e-mail:office@aigner-werkzeuge.at  
www.aigner-werkzeuge.at


MS.....Machine Interface

Blattformat: **A4** All dimensions in mm  
Zchnng.-Nr. KW.44916.4 | 00  
**C491-6**

# DP-Rounding/Bevel/Joining Cutter Set Konstantin®-Speedy C491-6

D	ND	HD	Bo	LZ	Z	R/L	FA	RA	P	n max.	Ident-No.
110.3	100	12-30	30		2	R	1+20+4	R1-R3/F45	R2	14100	C491-61333R
110.3	100	24-45	30		2	R	1+21+4	R1-R3/F45	R2	14100	C491-61345R
110.3	100	12-30	30	138	2	R	1+20+4	R1-R3/F45	R2	14100	C491-61333R-F1
110.3	100	24-45	30	138	2	R	1+21+4	R1-R3/F45	R2	14100	C491-61345R-F1
110.3	100	12-30	30	173	2	R	1+20+4	R1-R3/F45	R2	14100	C491-61333R-F2
110.3	100	24-45	30	173	2	R	1+21+4	R1-R3/F45	R2	14100	C491-61345R-F2
112.2	100	12-30	30		2	R	2+20+5	R4-R5/F45	R5	14100	C491-64533R
112.2	100	24-45	30		2	R	2+21+5	R4-R5/F45	R5	14100	C491-64545R
112.2	100	12-30	30	138	2	R	2+20+5	R4-R5/F45	R5	14100	C491-64533R-F1
112.2	100	24-45	30	138	2	R	2+21+5	R4-R5/F45	R5	14100	C491-64545R-F1
112.2	100	12-30	30	173	2	R	2+20+5	R4-R5/F45	R5	14100	C491-64533R-F2
112.2	100	24-45	30	173	2	R	2+21+5	R4-R5/F45	R5	14100	C491-64545R-F2
113.2	100	12-30	30		2	R	3+20+6	R6/F45	R6	14100	C491-6633R
113.2	100	24-45	30		2	R	3+21+6	R6/F45	R6	14100	C491-6645R
113.2	100	12-30	30	138	2	R	3+20+6	R6/F45	R6	14100	C491-6633R-F1
113.2	100	24-45	30	138	2	R	3+21+6	R6/F45	R6	14100	C491-6645R-F1
113.2	100	12-30	30	173	2	R	3+20+6	R6/F45	R6	14100	C491-6633R-F2
113.2	100	24-45	30	173	2	R	3+21+6	R6/F45	R6	14100	C491-6645R-F2

Spare Parts				
Description	Qty.	Dimensions	MBM	Ident-No.
Replaceable knife for jointing cutter	10/14	14.5x14.1x4.7	2	KW.14456.7/B02
Replaceable knife for rounding cutter R1 (option)	4	14.5x14.9x6.8	2	KW.21572.7/B02
Replaceable knife for rounding cutter R1.5 (option)	4	14.5x14.9x6.8	2	KW.21573.7/B02
Replaceable knife for rounding cutter R2	4	14.5x14.9x6.8	2	KW.21574.7/B02
Replaceable knife for rounding cutter R2.5 (option)	4	14.5x14.9x6.8	2	KW.21575.7/B02
Replaceable knife for rounding cutter R3 (option)	4	14.5x14.9x6.8	2	KW.21576.7/B02
Replaceable knife for rounding cutter R4 (option)	4	14.5x14.9x6.8	2	KW.22103.7/B02
Replaceable knife for rounding cutter R5	4	14.5x14.9x6.8	2	KW.22104.7/B02
Replaceable knife for rounding cutter R6	4	14.5x14.9x6.8	2	KW.22105.7/B02
Replaceable knife for bevel cutter (option)	4	14.5x14.1x4.7	2	KW.97479.4/B02
Clamping screw main cutter	14/18	Tapered screw T25 M6x14	10	KW.93706.4-14
Spur	4	14x14x2.0	10	VS14x14x2.0/U
Screw for spur	4	Countersunk screw M6x10	10	KW.33767.4-10

 <p>e-mail:office@aigner-werkzeuge.at www.aigner-werkzeuge.at</p>	LZ.....Total length (Z dim.)	Blattformat: <b>A4</b> <small>All dimensions in mm</small>
	P.....Profile variant   FA.....No. of cutters	Zchnng.-Nr. KW.44916.4   00
n max.....Max speed (rpm)	<b>C491-6-1</b>	
MBM.....Minimum Order Quantity		