

# DP-Rounding/Bevel/Joining Cutter Set Konstantin®-Speedy C491-5

Cutting Material  
**DP**

Feed  
**MEC**

Number of  
Teeth  
**Z 2**

**Design:**

- 2-part cutter set
- No. of teeth = 2
- Joining cutter head and bevel / rounding cutters with replaceable DP knives
- Tool body in light alloy
- Cutting elements fitted with DP (DIA)
- Extreme shear angle in the joining area (54°)
- Low-noise design
- 2-3 times resharpenable
- With TC safety cutter

**Application:**

- For joining and the rounding / bevelling of panel materials on CNC milling machines at the same time

**Workpiece Material:**

- Panel materials

**Machine:**

- CNC machining centres

**Scope of Supply:**

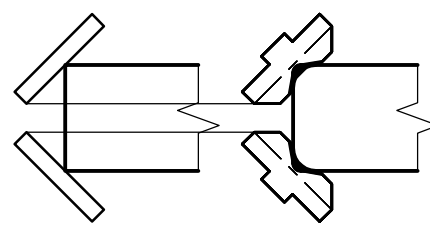
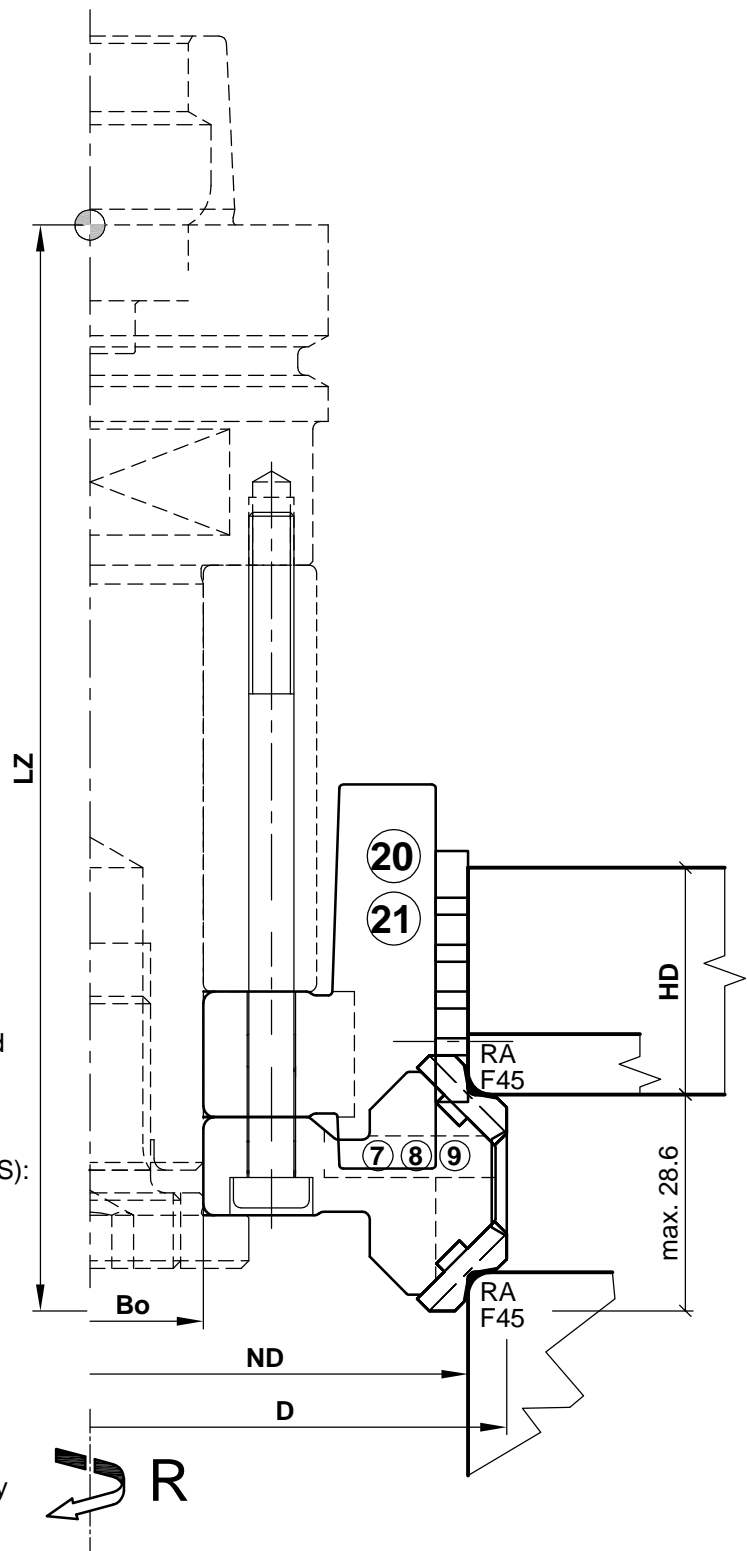
- Tool body including DP cutters
- Bevel / rounding cutter R2 with Nr.7 / R5 with Nr.8 and Nr.5 / R6 with Nr.9 pre-assembled
- If another knife is to be fitted, it must be stated at the time of order
- Handle key Torx T25
- Handle key Torx T20
- Optionally also assembled (and balanced) (MS):  
Assembled on milling arbor HSK-F 63 (C905-4530080): C491-5...-F1  
Assembled on milling arbor HSK-F 63 (C905-8030080): C491-5...-F2


**Special Features:**

- Same zero diameter (run-off edge) for all radii
- Different radii available
- Safety cutter for the protection of the tool body Against damage

**Additional Information:**

- For individual cutters, see C491-1




 <p>e-mail:office@aigner-werkzeuge.at www.aigner-werkzeuge.at</p>	MS.....Machine Interface	Blattformat: <b>A4</b> <small>All dimensions in mm</small>
		Zchnng.-Nr. KW.44915.4   00
		<b>C491-5</b>

# DP-Rounding/Bevel/Joining Cutter Set Konstantin®-Speedy C491-5

D	ND	HD	Bo	LZ	Z	R/L	FA	RA	P	n max.	Ident-No.
110.3	100	8-30	30		2	R	20+7	R1-R3/F45	R2	14100	C491-51333R
110.3	100	8-43	30		2	R	21+7	R1-R3/F45	R2	14100	C491-51345R
110.3	100	8-30	30	143.6	2	R	20+7	R1-R3/F45	R2	14100	C491-51333R-F1
110.3	100	8-43	30	143.6	2	R	21+7	R1-R3/F45	R2	14100	C491-51345R-F1
110.3	100	8-30	30	178.6	2	R	20+7	R1-R3/F45	R2	14100	C491-51333R-F2
110.3	100	8-43	30	178.6	2	R	21+7	R1-R3/F45	R2	14100	C491-51345R-F2
112.2	100	8-30	30		2	R	20+8	R4-R5/F45	R5	14100	C491-54533R
112.2	100	8-43	30		2	R	21+8	R4-R5/F45	R5	14100	C491-54545R
112.2	100	8-30	30	143.0	2	R	20+8	R4-R5/F45	R5	14100	C491-54533R-F1
112.2	100	8-43	30	143.0	2	R	21+8	R4-R5/F45	R5	14100	C491-54545R-F1
112.2	100	8-30	30	178.0	2	R	20+8	R4-R5/F45	R5	14100	C491-54533R-F2
112.2	100	8-43	30	178.0	2	R	21+8	R4-R5/F45	R5	14100	C491-54545R-F2
113.2	100	8-30	30		2	R	20+9	R6/F45	R6	14100	C491-5633R
113.2	100	8-43	30		2	R	21+9	R6/F45	R6	14100	C491-5645R
113.2	100	8-30	30	142.6	2	R	20+9	R6/F45	R6	14100	C491-5633R-F1
113.2	100	8-43	30	142.6	2	R	21+9	R6/F45	R6	14100	C491-5645R-F1
113.2	100	8-30	30	177.6	2	R	20+9	R6/F45	R6	14100	C491-5633R-F2
113.2	100	8-43	30	177.6	2	R	21+9	R6/F45	R6	14100	C491-5645R-F2

Spare Parts				
Description	Qty.	Dimensions	MBM	Ident-No.
Replaceable knife for jointing cutter	10/14	14.5x14.1x4.7	2	KW.14456.7/B02
Replaceable knife for rounding cutter R1 (option)	4	14.5x14.9x6.8	2	KW.21572.7/B02
Replaceable knife for rounding cutter R1.5 (option)	4	14.5x14.9x6.8	2	KW.21573.7/B02
Replaceable knife for rounding cutter R2	4	14.5x14.9x6.8	2	KW.21574.7/B02
Replaceable knife for rounding cutter R2.5 (option)	4	14.5x14.9x6.8	2	KW.21575.7/B02
Replaceable knife for rounding cutter R3 (option)	4	14.5x14.9x6.8	2	KW.21576.7/B02
Replaceable knife for rounding cutter R4 (option)	4	14.5x14.9x6.8	2	KW.22103.7/B02
Replaceable knife for rounding cutter R5	4	14.5x14.9x6.8	2	KW.22104.7/B02
Replaceable knife for rounding cutter R6	4	14.5x14.9x6.8	2	KW.22105.7/B02
Replaceable knife for bevel cutter (option)	4	14.5x14.1x4.7	2	KW.97479.4/B02
Clamping screw main cutter	14/18	Tapered screw T25 M6x14	10	KW.93706.4-14
Spur	2	14x14x2.0	10	VS14x14x2.0/U
Screw for spur	2	Countersunk screw M6x10	10	KW.33767.4-10

 <p>e-mail:office@aigner-werkzeuge.at www.aigner-werkzeuge.at</p>	LZ.....Total length (Z dim.)	Blattformat: <b>A4</b> <small>All dimensions in mm</small>
	P.....Profile variant   FA.....No. of cutters	Zchnng.-Nr. KW.44915.4   00
n max.....Max speed (rpm)	<b>C491-5-1</b>	
MBM.....Minimum Order Quantity		