

# DP-Rounding/Bevel/Joining Cutter Set Konstantin® C491-2

Cutting Material  
**DP**

Number of Teeth  
**Z 2**

Feed  
**MEC**

**Design:**

- 2-part cutter set
- No. of teeth = 2
- Joining cutter head and bevel / rounding cutter with replaceable DP knives
- Tool body in light alloy
- Cutting elements fitted with DP (DIA)
- Drawing cut in joint area
- Low-noise design
- 2-3 times resharpenable
- With TC safety cutter

**Application:**

- For the jointening and simultaneous rounding / bevelling of panel materials on CNC milling machines

**Workpiece Material:**

- Panel material

**Machine:**

- CNC machining centres

**Scope of Supply:**

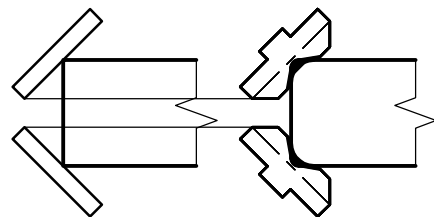
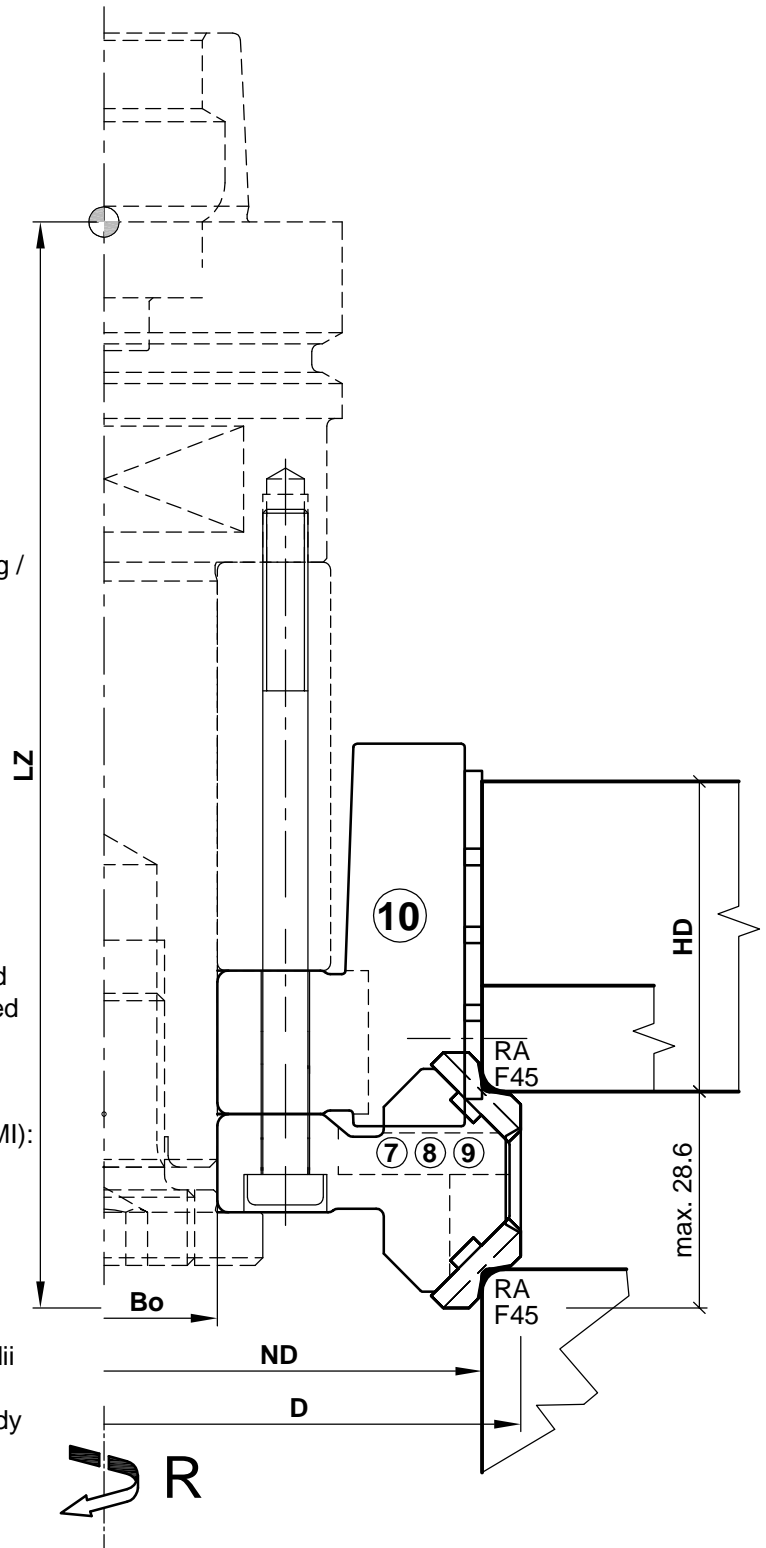
- Tool body including DP cutters
- Bevel / rounding cutter R2 with No. 7 / R5 with No. 8 / R6 with No. 9, pre-assembled
- If another knife is to be fitted, it must be stated at the time of order
- Handle key Torx T25
- Handle key Torx T20
- Optionally also assembled (and balanced) (MI):  
Assembled on cutter arbor HSK-F 63 (C905-4530080): C491-2-F1  
Assembled on cutter arbor HSK-F 63 (C905-8030080): C491-2...-F2

**Special Features:**

- Same zero diameter (run-off edge) for all radii
- Different radii possible
- Safety cutter for the protection of the tool body against damage

**Additional Information:**

- Individual cutters see C491-1



**Aigner**  
WERKZEUGE  
e-mail: office@aigner-werkzeuge.at  
www.aigner-werkzeuge.at

MS.....Machine Interface

Blattformat: **A4** All dimensions in mm


Zchnng.-Nr. KW.44912.4 | 00

**C491-2**

# DP-Rounding/Bevel/Joining Cutter Set Konstantin® C491-2

D	ND	HD	Bo	LZ	Z	R/L	FA	RA	P	n max.	Ident-No.
110.3	100	14-41	30		2	R	10+7	R1-R3/F45	R2	14100	C491-21343R
110.3	100	14-41	30	143.6	2	R	10+7	R1-R3/F45	R2	14100	C491-21343R-F1
110.3	100	14-41	30	178.6	2	R	10+7	R1-R3/F45	R2	14100	C491-21343R-F2
112.2	100	14-41	30		2	R	10+8	R4-R5/F45	R5	14100	C491-24543R
112.2	100	14-41	30	143.0	2	R	10+8	R4-R5/F45	R5	14100	C491-24543R-F1
112.2	100	14-41	30	178.0	2	R	10+8	R4-R5/F45	R5	14100	C491-24543R-F2
113.2	100	14-41	30		2	R	10+9	R6/F45	R6	14100	C491-2643R
113.2	100	14-41	30	142.6	2	R	10+9	R6/F45	R6	14100	C491-2643R-F1
113.2	100	14-41	30	177.6	2	R	10+9	R6/F45	R6	14100	C491-2643R-F2

Spare Parts				
Description	Qty.	Dimensions	MBM	Ident-No.
Replaceable knife for jointing cutter	8	14.5x14.1x4.7	2	KW.97479.4/B02
Replaceable knife for rounding cutter R1	4	14.5x14.9x6.8	2	KW.21572.7/B02
Replaceable knife for rounding cutter R1.5 (option)	4	14.5x14.9x6.8	2	KW.21573.7/B02
Replaceable knife for rounding cutter R2	4	14.5x14.9x6.8	2	KW.21574.7/B02
Replaceable knife for rounding cutter R2.5 (option)	4	14.5x14.9x6.8	2	KW.21575.7/B02
Replaceable knife for rounding cutter R3 (option)	4	14.5x14.9x6.8	2	KW.21576.7/B02
Replaceable knife for rounding cutter R4 (option)	4	14.5x14.9x6.8	2	KW.22103.7/B02
Replaceable knife for rounding cutter R5	4	14.5x14.9x6.8	2	KW.22104.7/B02
Replaceable knife for rounding cutter R6	4	14.5x14.9x6.8	2	KW.22105.7/B02
Replaceable knife for bevel cutter (option)	4	14.5x14.1x4.7	2	KW.97479.4/B02
Clamping screw main cutter	12	Tapered screw T25 M6x14	10	KW.93706.4-14
Spur	2	14x14x2.0	10	VS14x14x2.0/U
Screw for spur	2	Countersunk Screw M6x10	10	KW.33767.4-10

 e-mail: office@aigner-werkzeuge.at www.aigner-werkzeuge.at	LZ.....Total Length (Z-Dim.)	Blattformat: <b>A4</b>	All dimensions in mm
	P.....Profile Variant   FA.....No. of cutters	Zchnng.-Nr. KW.44912.4	C491-2-1
n max.....Max Speed (rpm)	MBM.....Minimum Order Quantity		