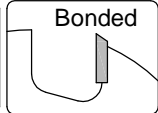


DP-Jointing-End-Mill "Speedy"

C460

Cutting Material
DP

Feed
MEC



Design:

- Robust tool body with helically, symmetrically arranged cutters
- Can be re-sharpened 5 to 8 times
- Deep flutes for better chip collection
- Shank fit h6

Application:

- Jointing

Workpiece material:

- Solid wood and panel materials

Machine:

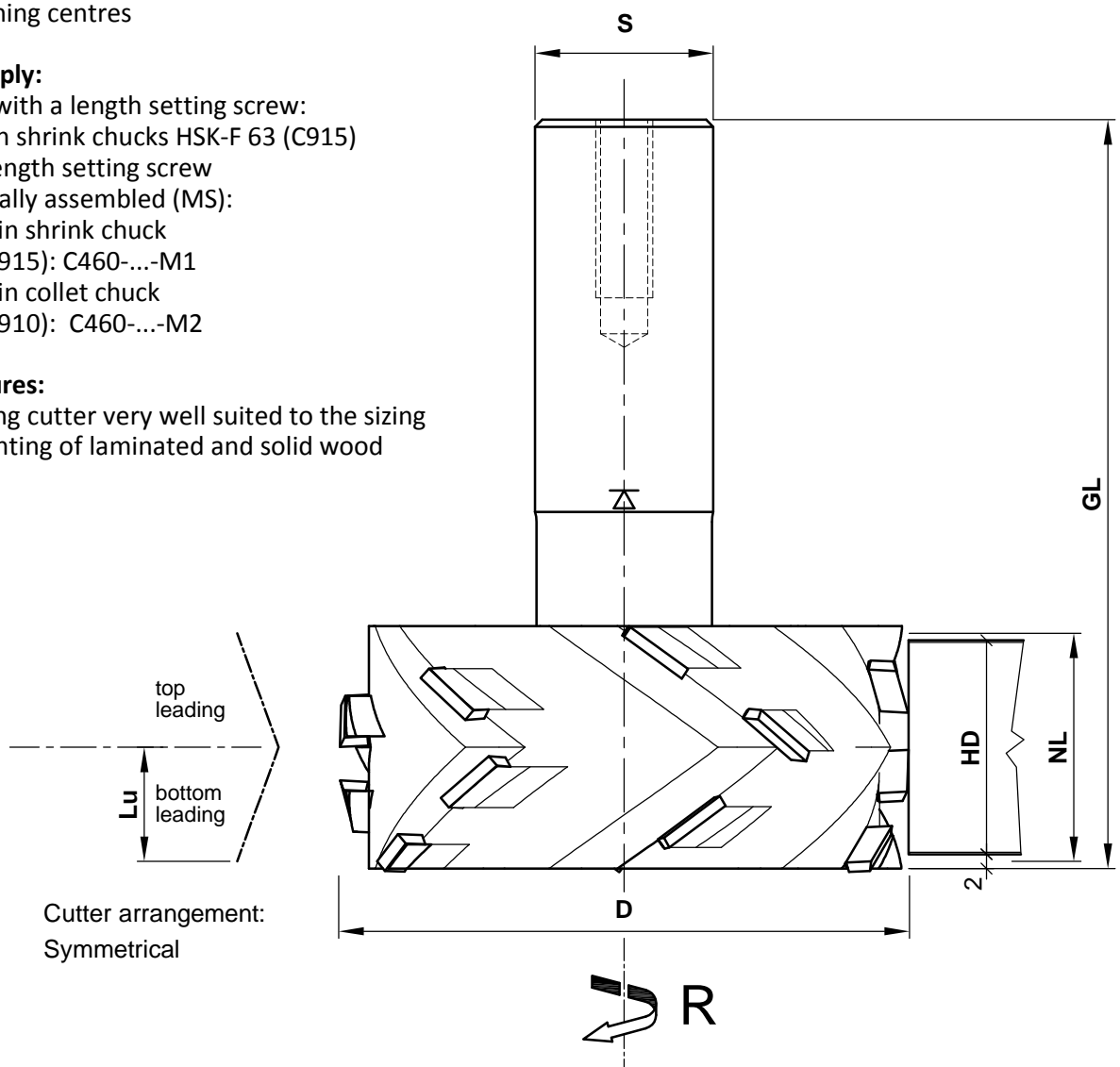
- CNC machining centres

Scope of supply:

- Principally with a length setting screw:
For use with shrink chucks HSK-F 63 (C915)
without a length setting screw
- Also optionally assembled (MS):
Assembled in shrink chuck
HSK-F 63 (C915): C460-...-M1
Assembled in collet chuck
HSK-F 63 (C910): C460-...-M2

Special features:

- Speedy sizing cutter very well suited to the sizing and fine jointing of laminated and solid wood



D	NL	GL	Lu	HD	S	Z	R/L	n max.	Ident-No.
80	32	105	16	30	25	3	R	18000	C460-8032R
80	48	120	22	46	25	3	R	18000	C460-8048R

<p>e-mail:office@aigner-werkzeuge.at www.aigner-werkzeuge.at</p>	MS.....Machine Adaptor	Blattformat: A4	<small>All dimensions in mm</small> Zchnng.-Nr. KW.44600.4 00
	Z.....No. of teeth	C460	
n max.....Maximum Rotational Speed (rpm)			