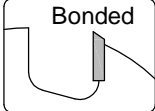


DP-Grooving-End-Mill "Speedy"

C451

Cutting Material
DP

Feed
MEC



Design:

- Tool body in Q & T steel with DP plunging cutter
- Can be re-sharpened 2 to 4 times
- Deep flutes for better chip collection
- Shank fit h6

Application:

- For the free form milling of grooves for inserts
- Tear-free edge through the large cutting face angles of the cutters
- Thickness of the insert: 1 ...9 mm
- For the milling of fittings

Workpiece material:

- Solid wood and panel materials

Machine:

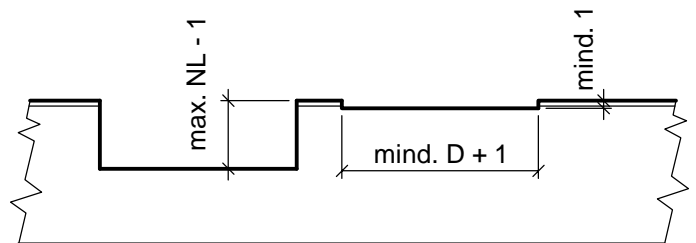
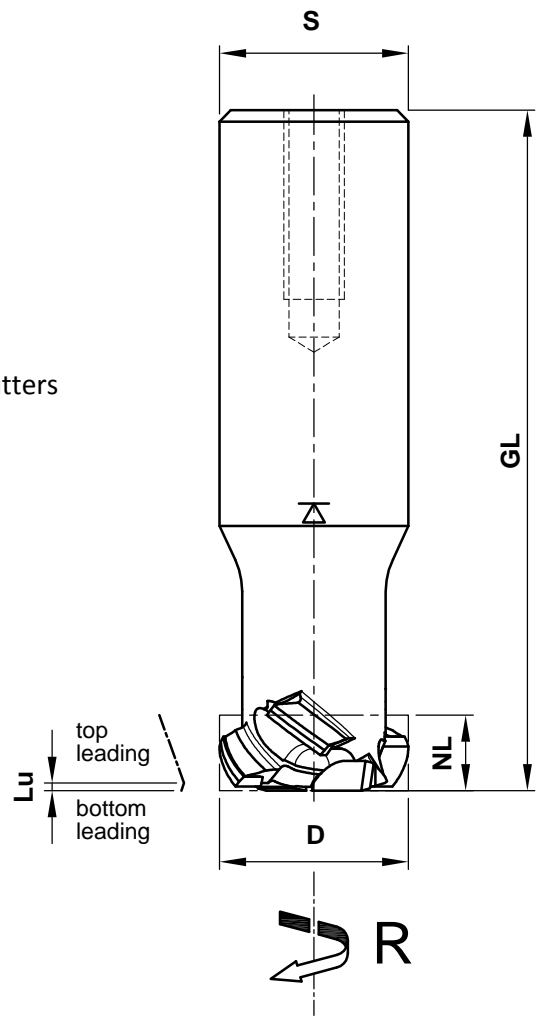
- CNC machining centres

Scope of supply:

- Principally with a length setting screw:
For use with shrink chucks HSK-F 63 (C915)
without a length setting screw
- Also optionally assembled (MS):
Assembled in shrink chuck HSK-F 63 (C915): C451-...-M1
Assembled in collet chuck HSK-F 63 (C910): C451-...-M2

Special features:

- From 1 mm tear-free



D	NL	GL	Lu	S	Z	R/L	n max.	Ident-No.
16	9	90	1	20	1	R	24000	C451-1609R
20	10	90	1	25	2	R	24000	C451-2010R
25	10	90	1	25	2	R	24000	C451-2510R

Aigner
WERKZEUGE
e-mail:office@aigner-werkzeuge.at
www.aigner-werkzeuge.at

MS.....Machine Adaptor
Z.....No. of teeth
n max.....Maximum Rotational Speed (rpm)

Blattformat: **A4** M=1:1
Zchnng.-Nr. KW.44510.4 | 00

C451