

Cutting Material

DP

Feed

MEC

Design:

- Tool body in light alloy
- Cutting elements tipped with DP (DIA)
- Jointing cutter head with replaceable DP cutters
- Drawing cut
- Low-noise design
- Can be re-sharpened two to three times

Application:

- For the low-noise jointing of the narrow side of panel materials

Workpiece material:

- Panel materials

Machine:

- Edge banding machines

Scope of supply:

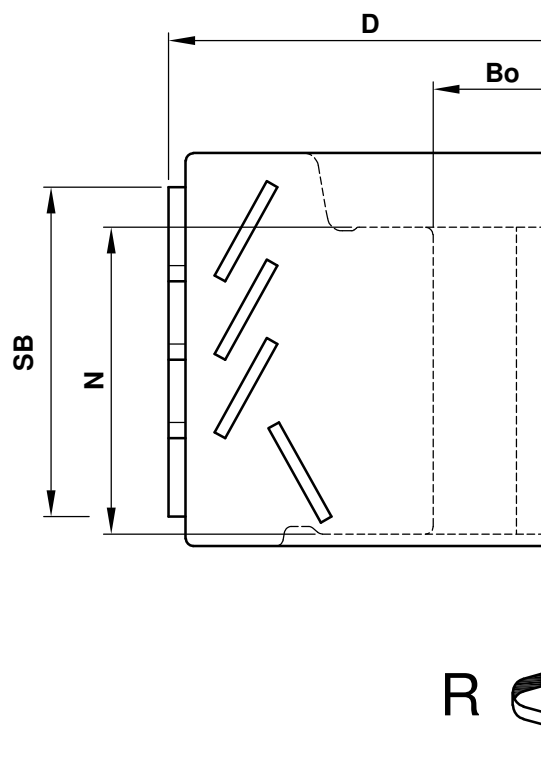
- Tool body including DP cutters
- Key with handle Torx T25

Special features:

- Constant diameter when replacing elements with the same cutter height
- Due to the high repeatability accuracy when replacing cutters, this can be carried out in situ
- To increase the tool life the cutters can also be replaced individually amongst each other
- Cutter elements can be re-ground in the tool body as well as without the tool body

Addition Information:

- A torque wrench (see C986-D315) is recommended when changing the cutters

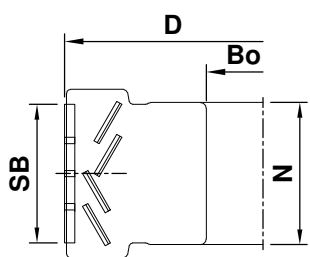


Information:

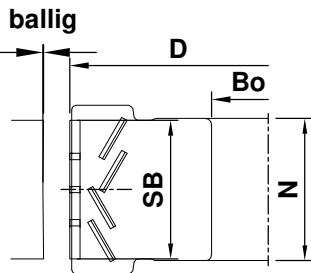
On edge banding machines without spindle height adjustment possibilities, when machining panel materials less than 10mm the design C424 (Konstantin with half cutters in the bottom row) may possibly have to be used

Cutter Arrangement = "SA"

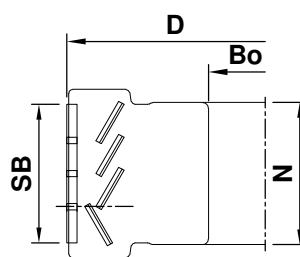
Type "s" = symmetrical



Type "s" = symmetrical crowned



Type "as" = asymmetrical



Aigner
WERKZEUGE


e-mail: office@aigner-werkzeuge.at
www.aigner-werkzeuge.at

Blattformat: **A4** All dimensions in mm

Zchnng.-Nr. KW.44340.4 | 00


C434

D	SB	N	Bo	MA	n max.	Z	SA	Ident-No.	Ident-No.
								Right-h.-Rotation	Left-h.-Rotation
60	54	39.2	16	Bi-Matic Prima	15500	2x5	as	C434-060RB54R	C434-060RB54L
60	54	62	25	Felder	15500	2x5	as	C434-060FA54R	C434-060FA54L
60	64	68	25	Felder	15500	2x6	as	C434-060FA64R	C434-060FA64L
60	43.7	48.7	20	Lange	15500	2x4	as	C434-060LA43R	C434-060LA43L
60	54	62	20	Lange	15500	2x5	as	C434-060LA54R	C434-060LA54L
70	43.7	29.5	30	Holzher	18000	2x4	as	C434-070GA43R	C434-070GA43L
70	54	29.5	30	Holzher	18000	2x5	as	C434-070GA54R	C434-070GA54L
70	64.5	35.5	30	Holzher	18000	2x6	as	C434-070GA64R	C434-070GA64L
70	43.7	35.5	30	Holzher	18000	3x4	as	C434-070GB43R	C434-070GB43L
70	64.5	35.5	30	Holzher Prolock	18000	3x6	as	C434-070GB64R	C434-070GB64L
70	64.5	35.5	30	Holzher	18000	3x6	as	C434-070GC64R	C434-070GC64L
70	43.6	61	25	Hebrock	18000	2x4	as	C434-070EA43R	C434-070EA43L
70	64.5	81	25	Hebrock	18000	2x6	as	C434-070EA64R	C434-070EA64L
80	43.6	53	30	Biesse	15500	3x4	s	C434-080CA43R	C434-080CA43L
80	64.6	53	30	Biesse	15500	3x6	s	C434-080CA64R	C434-080CA64L
80	64.6	53	30	Biesse	15500	2x6	s	C434-080CB64R	C434-080CB64L
80	54	25	20	Biesse	15500	3x5	as	C434-080CC54R	C434-080CC54L
80	64.6	30	20	Bi-Matic	15500	3x6	s	C434-080RA64R	C434-080RA64L
80	64.6	66.6	25	Felder	15500	3x6	as	C434-080FA64R	C434-080FA64L
80	54.0	66.6	25	Felder	15500	2x5	as	C434-080FB54R	C434-080FB54L
80	64.6	66.6	25	Felder	15500	2x6	as	C434-080FB64R	C434-080FB64L
85	43.6	45	30	Ott	15500	3x4	as	C434-085PA43R	C434-085PA43L
85	54	45	30	Ott	15500	3x5	as	C434-085PA54R	C434-085PA54L
85	64.6	45	30	Ott	15500	3x6	as	C434-085PA64R	C434-085PA64L
100	43.6	45	30	Ott	15200	3x4	as	C434-100PA43R	C434-100PA43L
100	64.6	44	30	Ott	15200	3x6	as	C434-100PA64R	C434-100PA64L
100	43.6	40.6	30	Brandt / Homag	15200	3x4	as	C434-100BA43R	C434-100BA43L
100	64.6	40.6	30	Brandt / Homag	15200	3x6	as	C434-100BA64R	C434-100BA64L
100	43.6	40.6	25	Brandt / Homag	15200	2x4	as	C434-100BB43R	C434-100BB43L
100	43.6	75	30	Biesse	15200	3x4	s	C434-100CA43R	C434-100CA43L
100	64.6	75	30	Biesse	15200	3x6	s	C434-100CA64R	C434-100CA64L
100	54.1	37	30	IMA	15200	3x5	as	C434-100DA54R	C434-100DA54L
100	43.6	41	30	IMA / Brandt	15200	3x4	s	C434-100DB43R	C434-100DB43L
100	43.6	25	30	Holzher	15200	3x4	as	C434-100GA43R	C434-100GA43L
100	54	25	30	Holzher	15200	3x5	as	C434-100GA54R	C434-100GA54L
100	43.6	25	30	Holzher	15200	2x4	as	C434-100GC43R	C434-100GC43L
100	54	25	30	Holzher	15200	2x5	as	C434-100GC54R	C434-100GC54L
100	64.6	39.5	30	Holzher	15200	3x6	as	C434-100GA64R	C434-100GA64L
100	64.6	39.5	30	Holzher	15200	3x6	s	C434-100GB64R	C434-100GB64L
100	64.6	39.5	30	Holzher	15200	3x6	s	C434-100GB64Rc	C434-100GB64Lc
100	64.6	39.5	30	Holzher 1804	15200	3x6	s	C434-100GF64Rc	C434-100GF64Lc
100	43.6	61	30	Hebrock	15200	2x4	as	C434-100EA43R	C434-100EA43L
100	64.6	80.8	30	Hebrock	15200	2x6	as	C434-100EA64R	C434-100EA64L
100	43.6	45.4	30	SCM	15200	3x4	as	C434-100SA43R	C434-100SA43L
100	64.6	72	30	SCM-Olympic	15200	3x6	as	C434-100SA64R	C434-100SA64L

 <p>e-mail:office@aigner-werkzeuge.at www.aigner-werkzeuge.at</p>	MA.....Machine Manufacturer	Blattformat: A4 <small>All dimensions in mm</small>
	n max.....Maximum Rotational Speed (rpm)	Zchnng.-Nr. KW.44340.4 00
Z.....No. of teeth	C434-1	
SA.....Cutter Arrangement		

D	SB	N	Bo	MA	n max.	Z	SA	Ident-No.	Ident-No.
								Right-h.-Rotation	Left-h.-Rotation
125	43.6	40.6	30	Homag/Biesse	12200	3x4	s	C434-125HA43R	C434-125HA43L
125	64.6	40.6	30	Homag/Biesse	12200	3x6	s	C434-125HA64R	C434-125HA64L
125	64.6	40.6	30	Homag/Biesse	12200	3x6	s*	C434-125HA64RC	C434-125HA64LC
125	33.2	40	30	Homag	12200	3x3	as	C434-125HB33R	C434-125HB33L
125	43.6	40	30	Homag	12200	3x4	as	C434-125HB43R	C434-125HB43L
125	64.6	40	30	Homag	12200	3x6	as	C434-125HB64R	C434-125HB64L
125	54	37	30	IMA 08.378	12200	3x5	as	C434-125DA54R	C434-125DA54L
125	64.6	37	30	IMA 08.378	12200	3x6	as	C434-125DA64R	C434-125DA64L
125	43.6	37	30	IMA 08.378	12200	4x4	as	C434-125DB43R	C434-125DB43L
125	64.6	57	30	IMA 08.379	12200	3x6	as	C434-125DC64R	C434-125DC64L

Spare Parts				
Description	Qty.	Dimensions	MBM	Ident-No.
Replacement Cutter for D60	1	14.5x14.1x4.7	2	KW.97477.4/B02
Replacement Cutter for D70	1	14.5x14.1x4.7	2	KW.97617.4/B02
Replacement Cutter for D80	1	14.5x14.1x4.7	2	KW.97478.4/B02
Replacement Cutter for D85	1	14.5x14.1x4.7	2	KW.97927.4/B02
Replacement Cutter for D100	1	14.5x14.1x4.7	2	KW.97479.4/B07
Replacement Cutter for D125	1	14.5x14.1x4.7	2	KW.97480.4/B07
Clamping Screw Main Cutter	1	Tapered screw T25 M6x14	10	KW.93706.4-14
Clamping Screw Main Cutter	1	Tapered screw T25 M6x12	10	KW.93706.4-12

 <p>e-mail:office@aigner-werkzeuge.at www.aigner-werkzeuge.at</p>	MA.....Machine Manufacturer Z.....No. of teeth	Blattformat: A4 <small>All dimensions in mm</small> Zchnng.-Nr. KW.44340.4
	MBM.....Minimum Order Quantity SA.....Cutter Arrangement	C434-2

1.) With type S = Symmetrical Cutter Arrangement

YES = C434

NO

2.) With type AS = asymmetrical cutter arrangement are panels of 8mm to be machined

YES

NO = C434

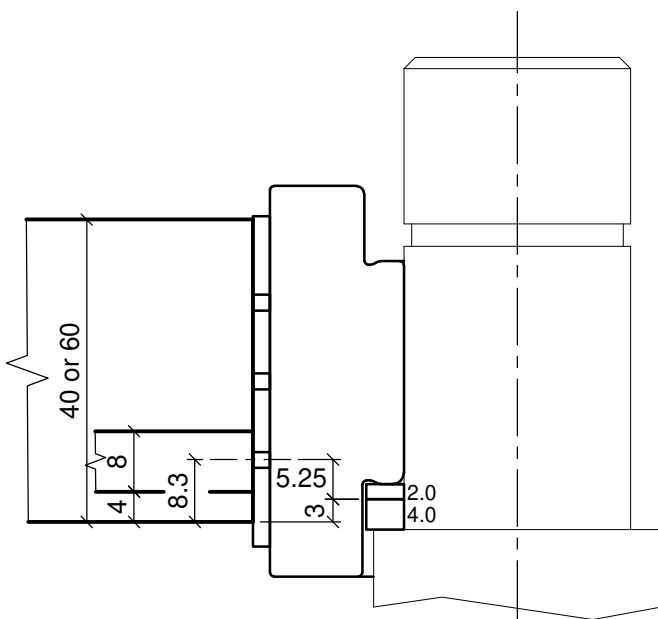
3.) Can and does the customer want to adjust the spindle between 8mm and max. HD (40 or 60)

YES = C434

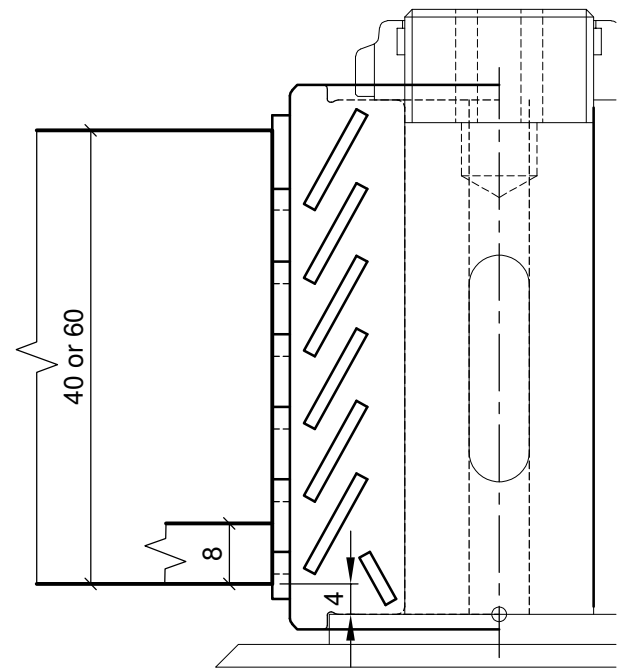
NO = C424
with half
cutters

4.) Feed up to 11m/min number of teeth = Z2
from 12 to 20m/min number of teeth = Z3

C434
Spindle adjustable (mechanical) or
spacing rings



C424
with half cutters



Aigner
WERKZEUGE

e-mail:office@aigner-werkzeuge.at
www.aigner-werkzeuge.at

Blattformat: **A4** All dimensions
in mm

Zchnng.-Nr. KW.44340.4 | 00

C434-3