

# DP-Jointing /-Rebating-Cutter Konstantin®

C420-2

Cutting Material  
**DP**

Feed  
**MEC**

**Design:**

- Jointing / rebating cutter head with replaceable DP cutters
- Tool body in light alloy
- Cutting elements tipped with DP (DIA)
- Drawing cut / Low-noise design
- Can be re-sharpened 2 to 3 times

**Application**

For low-noise jointing and rebating of panel materials

**Workpiece material:**

- Panel materials

**Machine:**

- CNC machining centres

**Scope of supply:**

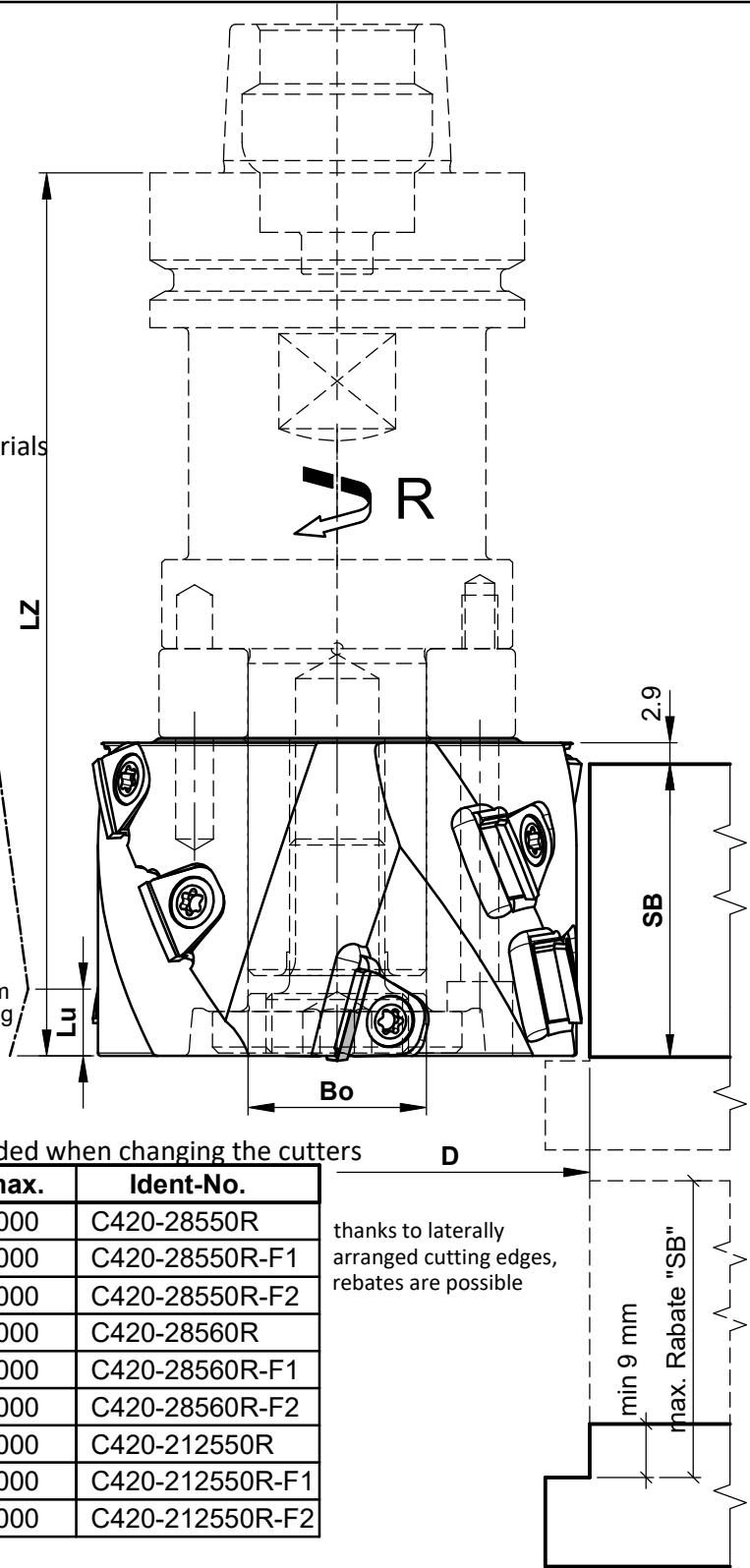
- Tool body including DP cutters
- Torx key T25
- Also optionally assembled (and balanced) (MS):  
Mounted on milling arbor  
HSK-F 63 (C905-4530xx): C420-...-F1  
Mounted on milling arbor  
HSK-F 63 (C905-8030xx): C420-...-F2

**Special features:**

- Design with a half cutter at the bottom for the milling of small rebate heights, too


**Additional Information:**

- A torque wrench (see C986-D315) is recommended when changing the cutters



| D   | SB | Lu | Bo | LZ    | Z   | R/L | n max. | Ident-No.       |
|-----|----|----|----|-------|-----|-----|--------|-----------------|
| 85  | 50 | 9  | 30 |       | 2x5 | R   | 15000  | C420-28550R     |
| 85  | 50 | 9  | 30 | 114.3 | 2x5 | R   | 15000  | C420-28550R-F1  |
| 85  | 50 | 9  | 30 | 149.3 | 2x5 | R   | 15000  | C420-28550R-F2  |
| 85  | 60 | 9  | 30 |       | 2x6 | R   | 15000  | C420-28560R     |
| 85  | 60 | 9  | 30 | 114.3 | 2x6 | R   | 15000  | C420-28560R-F1  |
| 85  | 60 | 9  | 30 | 149.3 | 2x6 | R   | 15000  | C420-28560R-F2  |
| 125 | 50 | 9  | 30 |       | 2x5 | R   | 15000  | C420-212550R    |
| 125 | 50 | 9  | 30 | 114.3 | 2x5 | R   | 15000  | C420-212550R-F1 |
| 125 | 50 | 9  | 30 | 149.3 | 2x5 | R   | 15000  | C420-212550R-F2 |

| Spare Parts              |  | Qty. | Dimensions    | MBM | Ident-No.      |
|--------------------------|--|------|---------------|-----|----------------|
| Description              |  |      |               |     |                |
| DP Main Cutter SB50/Ø85  |  | 8    | 14.5x14.1x4.7 | 2   | KW.97927.4/B02 |
| DP Main Cutter SB60/Ø85  |  | 10   | 14.5x14.1x4.7 | 2   | KW.97927.4/B02 |
| DP Main Cutter SB50/Ø125 |  | 8    | 14.5x14.1x4.7 | 2   | KW.97480.4/B07 |
| DP Main Cutter 1/2 Ø85   |  | 2    | 8.8x14.1x4.7  | 2   | KW.12013.7/B02 |
| DP Main Cutter 1/2 Ø125  |  | 2    | 8.8x14.1x4.7  | 2   | KW.12013.7/B07 |
| Clamping Screw           |  |      | M6x14         | 10  | KW.93706.4-14  |

|  |                        |  |
|--|------------------------|--|
|  <p>e-mail:office@aigner-werkzeuge.at<br/>www.aigner-werkzeuge.at</p> | MS.....Machine Adaptor | Blattformat: <b>A4</b> <small>All dimensions in mm</small> |
|  | Z.....No. of teeth     | Zchnng.-Nr. KW.44202.4   00                                |
| n max.....Maximum Rotational Speed (rpm)   | <b>C420-2</b>          |  |
| LZ.....Overall Length (Z Dimension)  |                        |  |