

Cutting Material
DP

Feed
MEC

Design:

- Jointing cutter head with replaceable DP cutters
- Tool body in light alloy
- Cutting elements tipped with DP (DIA)
- Drawing cut
- Extreme axis angle in the joint area (54°)
- Can be re-sharpened 2 to 3 times
- With safety cutters face cutting

Application:

- For low-noise jointing of panel materials

Workpiece material:

- Solid wood and panel materials

Machine:

- CNC machining centres

Scope of supply:

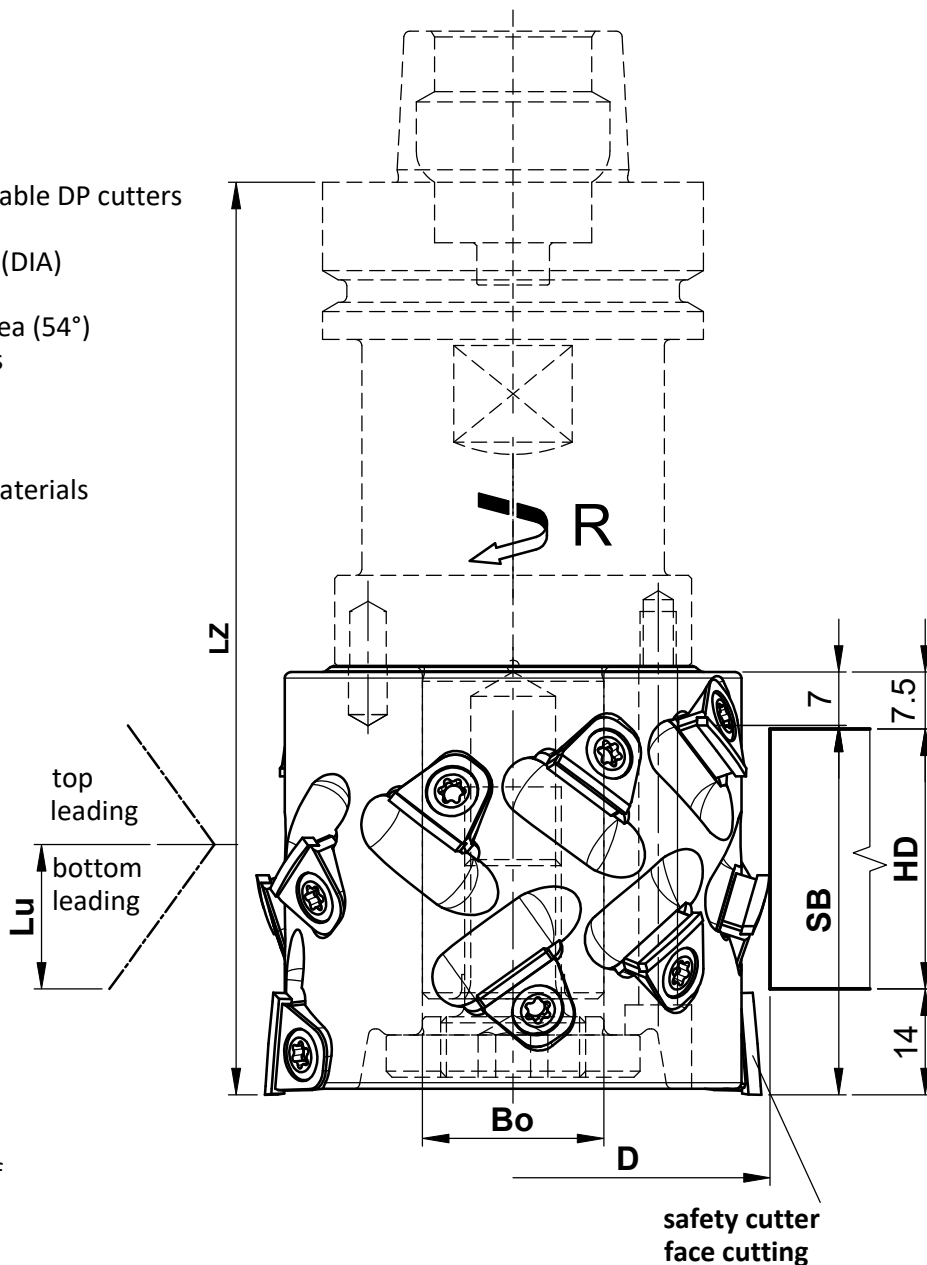
- Tool body including DP cutters
- Torx key T25
- Also optionally assembled (and balanced) (MS):
Mounted on milling arbor HSK-F 63 (C905-4530xx):
C415-...-F1
Mounted on milling arbor HSK-F 63 (C905-8030xx):
C415-...-F2

Special features:

- Face cutting for the protection of the tool body against damage


Additional Information:

- A torque wrench (see C986-D315) is recommended when changing the cutters



D	SB	Lu	HD	Bo	LZ	Z	R/L	n max.	Ident-No.
85	61	23.9	43	30		2x8	R	15000	C415-8544R
85	61	23.9	43	30	115.9	2x8	R	15000	C415-8544R-F1
85	61	23.9	43	30	150.9	2x8	R	15000	C415-8544R-F2
85	74	23.9	56	30		2x10	R	15000	C415-8557R
85	74	23.9	56	30	141.3	2x10	R	15000	C415-8557R-F1
85	74	23.9	56	30	176.3	2x10	R	15000	C415-8557R-F2

Spare Parts				
Description	Qty.	Dimensions	MBM	Ident-No.
DP-Hauptschneide SB61	14	14.5x14.1x4.7	2	KW.14455.7/B02
DP-Hauptschneide SB74	18	14.5x14.1x4.7	2	KW.14455.7/B02
DP-Hauptschneide	2	17.5x14.0x4.6	2	KW.15078.7/B02
Klemmschraube	1	M6x14	10	KW.93706.4-14

 <p>e-mail:office@aigner-werkzeuge.at www.aigner-werkzeuge.at</p>	MS.....Machine Adaptor	Blattformat: A4 <small>All dimensions in mm</small> Zchnng.-Nr. KW.44150.4 00
	Z.....No. of teeth	
n max.....Maximum Rotational Speed (rpm)	<h1>C415</h1>	
LZ.....Overall Length (Z Dimension)		