

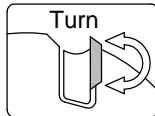
WM-Shank-V-Grooving-Cutter

C361

Cutting Material
TC

Number of Teeth
Z 1

Feed
MEC



Design:

- Tool body in steel
- No. of teeth = 1
- Shank fit h6
- TC reversible knife
- Absolutely pointed at the base

Application:

- For chamfering, for ornamental grooves and folding cuts
- For folding cuts in chipboards, FW = 91° should be used due to raised fibers

Workpiece material:

- Solid wood and panel materials

Mashine:

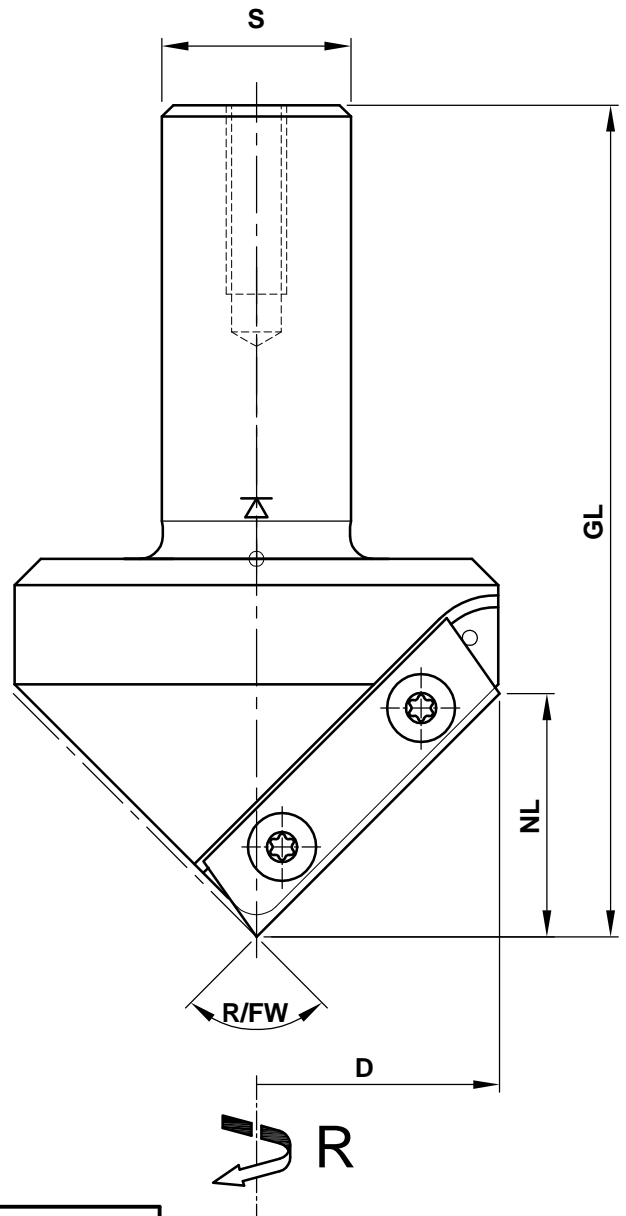
- CNC machining centres

Scope of supply:

- Tool body including reversible knives
- Key with handle Torx T15
- Principally with a length setting screw; For use with shrink chucks HSK-F 63 (C915) without a length setting screw
- Also optionally assembled (and balanced) (MS):
Assembled in shrink chuck HSK-F 63 (C915): C235-....-M1
Assembled in collet chuck HSK-F 63 (C910): C235-....-M2


Special features:

- With stop for easy knife adjustment when turning or exchanging



D	R/FW	NL	GL	S	Z	R/L	n max.	Ident-No.
35	45°	42.2	130	20	1	R	16500	C361-3504520R
35	45°	42.2	130	25	1	R	16500	C361-3504525R
41	60°	35.5	120	20	1	R	16500	C361-4106020R
41	60°	35.5	120	25	1	R	16500	C361-4106025R
64	90°	32.2	110	20	1	R	14250	C361-6409020R
64	90°	32.2	110	25	1	R	14250	C361-6409025R
65	91°	31.9	110	20	1	R	14250	C361-6509120R
65	91°	31.9	110	25	1	R	14250	C361-6509125R

Spare Parts		Qty.	Dimensions	MBM	Ident-No.
Reversible Knife for 45°		1	30.5x12x1.5	2	PM.54963.5/U35
Reversible Knife for 60°		1	33.6x12x1.5	2	PM.54964.5/U35
Reversible Knife for 90° and 91°		1	44.8x12x1.5	2	PM.54965.5/U35
Roundhead Screw		2	M4x6 (head D9) Torx T15	10	KW.44237.5

 <p>e-mail: office@aigner-werkzeuge.at www.aigner-werkzeuge.at</p>	MS.....Machine Adapter	Blattformat: A4	<small>All dimensions in mm</small> Zchnng.-Nr. KW.43610.4 00
	Z.....Number of Teeth	C361	
n max.....Max. Speed (rpm)	MBM.....Minimum Order Quantity		