

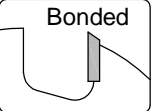
DP-T-Shank Grooving Cutter

C319

Cutting Material
DP

Number of Teeth
Z2+Z1

Feed
MEC



Design:

- Tool body in steel
- With large diameters, two straight DP cutting edges flank cutting on both sides
- With small diameters, one straight DP cutting edge

Application:

- For milling T-slots
(pre-milling with a grooving cutter necessary)

Workpiece material:

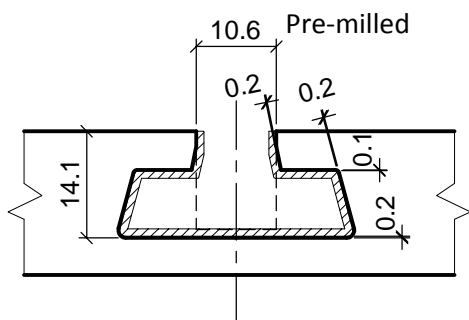
- Panel materials

Machine:

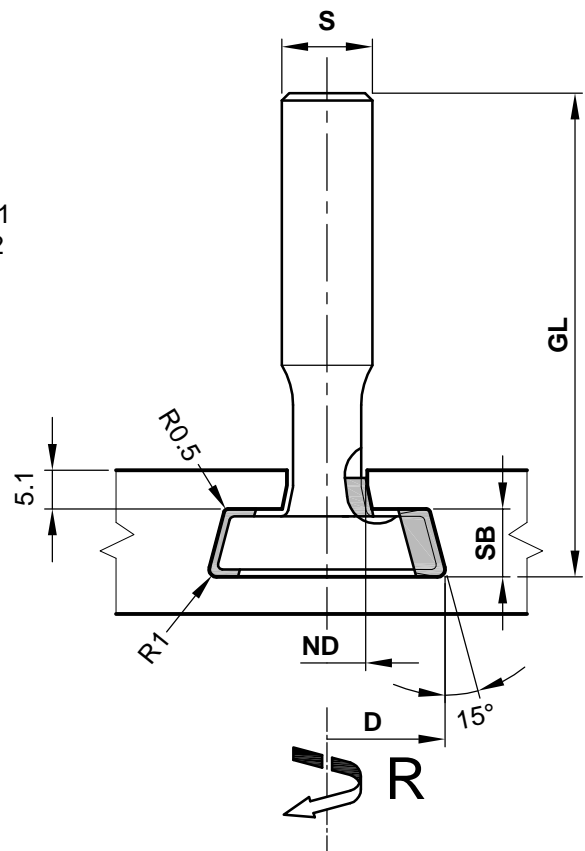
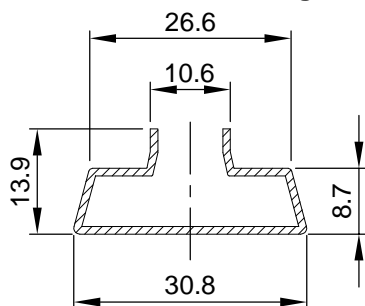
- CNC machining centres

Scope of supply:

- Optionally also assembled (and balanced) (MI):
Assembled in shrink collet HSK-F 63 (C915): C319-....-M1
Mounted in collet chuck HSK-F 63 (C910): C319-....-M2



ALUMINIUM rail according to design



D	ND	SB	GL	S	Z	R/L	n max.	Ident-No.
31.2	10.2	9	64	12	2+1	R	24000	C319-3110

Aigner
WERKZEUGE
e-mail: office@aigner-werkzeuge.at
www.aigner-werkzeuge.at

MS.....Machine Adapter
Z.....Number of Teeth
n max.....Max. Speed (rpm)

Blattformat: **A4** All dimensions in mm
Zchnng.-Nr. KW.43190.4 | 00

C319