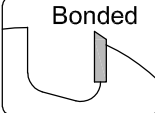


DP-Profil Shank Cutter for Releasable Furniture Connectors C316-3

Cutting Material DP	Number of Teeth Z 1	Feed MEC	Bonded 
-------------------------------	-------------------------------	--------------------	---

Design:

- Tool body in steel
- A profiled DP knife
- Shank fit h6

Application:

- Optimized for milling grooves for Clamex-P, Tenso-P, Divario P connections

Workpiece Material:

- Panel materials

Machine:

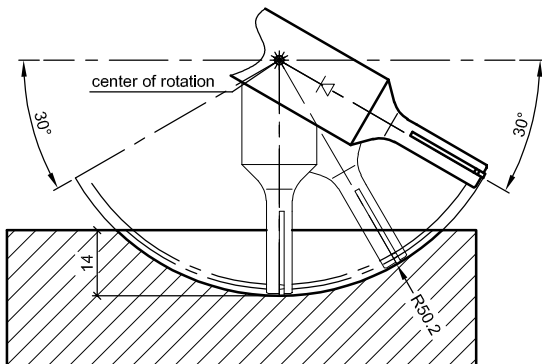
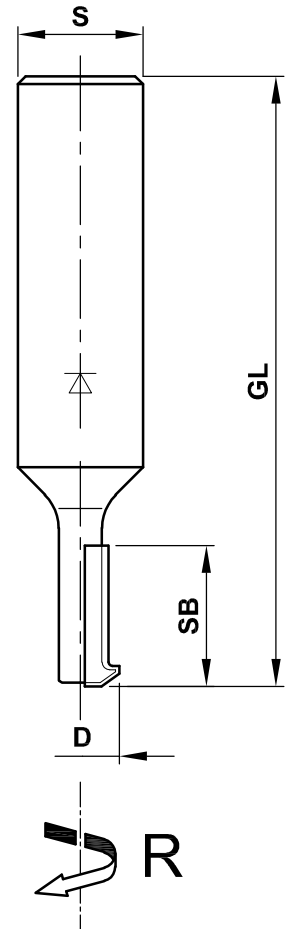
- CNC machining centres

Scope of Supply:

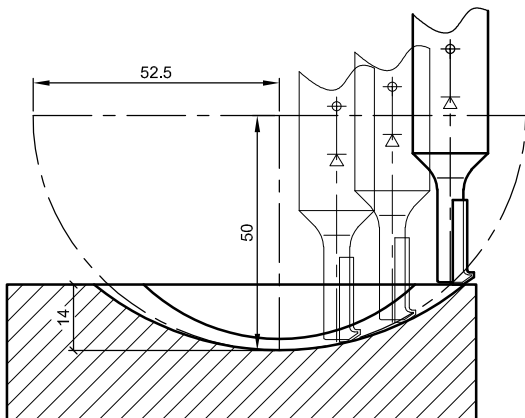
- Optionally also assembled (and balanced) (MS):
 Assembled in shrink chuck HSK-F 63 (C915): C316-....-M1
 Assembled in collet chuck HSK-F 63 (C910): C316-....-M2

Special Features:

- Pay attention to increased risk of breakage, pay attention to application data.



shank tool with 5-axis



shank tool with 3-axis

D	SB	GL	S	Z	R/L	n max.	Ident-No.
10	18	78	16	1	R	24000	C316-3

Aigner
WERKZEUGE
 e-mail: office@aigner-werkzeuge.at
 www.aigner-werkzeuge.at

MS.....Machine Adaptor
 Z.....No. of teeth
 n max.....Max. Speed (rpm)

Blattformat: **A4** All dimensions in mm
 Zchnng.-Nr. KW.43163.4 00

C316-3