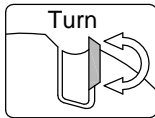


WM-Finger-Joint-Cutter

C303

Cutting Material
TC

Feed
MAN



Design:

- Tool body in steel
- TC reversible cutter
- Standard design loose
- Optionally, as a set screwed together: C303-....-M

Application:

- For the production of lock corner joints

Workpiece material:

- Solid wood and panel materials

Machine:

- Spindle moulder

Scope of supply:

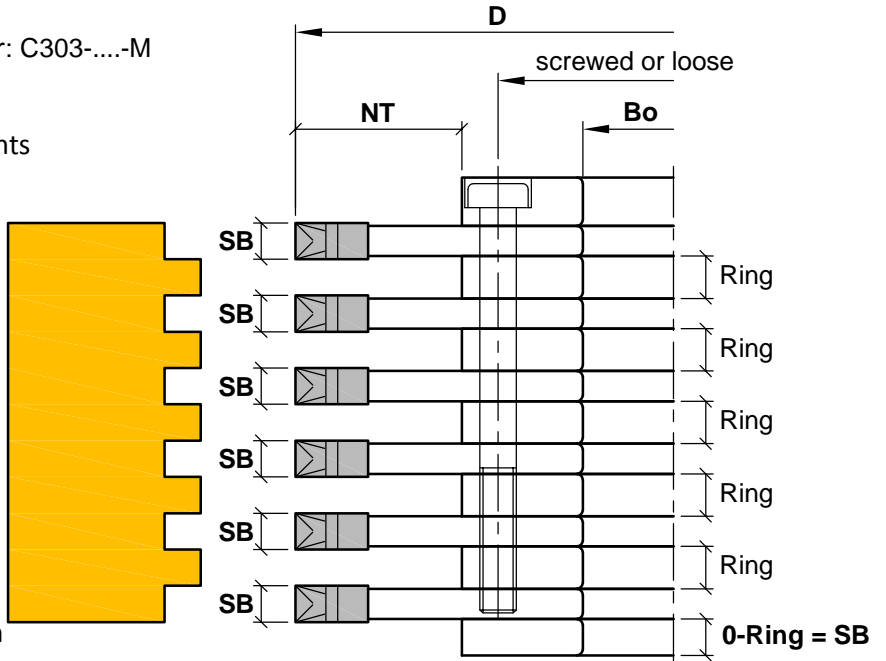
- Tool body including cutters
- 1 intermediate ring per cutter
- Associated key with handle
- 1 magnetic assembly jig

Special features:

- Specially developed clamping system for small cutting widths
- Bore max. $\varnothing 50$ mm possible at extra cost
- With the screwed together variant, bore max. $\varnothing 40$ mm possible at extra cost

Additional Information:

- Number of finger cutters to be specified when ordering
- With screwed variants, the cutting edges are offset by 15°



D	SB	NT	Bo	Z	V	R/L	DZ	Idetn-No.
125	4	27.5	30	2	4	R	6000-10000	C303-125430
140	4	35	30	2	4	R	5500-9500	C303-140430
160	4	45	30	2	4	R	5000-8500	C303-160430
125	6	27.5	30	2	4	R	6000-10000	C303-125630
140	6	35	30	2	4	R	5500-9500	C303-140630
160	6	45	30	2	4	R	5000-8500	C303-160630
125	8	27.5	30	2	4	R	6000-10000	C303-125830
140	8	35	30	2	4	R	5500-9500	C303-140830
160	8	45	30	2	4	R	5000-8500	C303-160830
125	10	27.5	30	2	4	R	6000-10000	C303-1251030
140	10	35	30	2	4	R	5500-9500	C303-1401030
160	10	45	30	2	4	R	5000-8500	C303-1601030
125	12	27.5	30	2	4	R	6000-10000	C303-1251230
140	12	35	30	2	4	R	5500-9500	C303-1401230
160	12	45	30	2	4	R	5000-8500	C303-1601230

Aigner
WERKZEUGE
e-mail: office@aigner-werkzeuge.at
www.aigner-werkzeuge.at

Z.....No. of teeth
V.....Spur
DZ.....Speed Range (rpm)

Blattformat: **A4** All dimensions in mm
Zchnng.-Nr. KW.43030.4 | 00
C303

Spare Parts

Description	Qty.	Dimensions	MBM	Ident-No.
Reversible Cutter for SB 4	2	3.6x12x2.5	10	WMF3.6x12x2.5/U
Reversible Cutter for SB 6	2	5.6x12x2.5	10	WMF5.6x12x2.5/U
Reversible Cutter for SB 8	2	7.5x12x2.5	10	WMF7.5x12x2.5/U
Reversible Cutter for SB 10	2	9.6x12x1.5	10	WMF9.6x12/U
Reversible Cutter for SB 12	2	11.5x12x1.5	10	WMF11.5x12/U
Spur for SB 4	4	14x14x1.2	10	VS14x14x1.2/M
Spur for SB 6	4	14x14x1.2	10	VS14x14x1.2/M
Spur for SB 8	4	14x14x2	10	VS14x14x2/U
Spur for SB 10	4	14x14x2	10	VS14x14x2/U
Spur for SB 12	4	14x14x2	10	VS14x14x2/U
Screw Main Cutter for SB 4	2	Eccentric B=3	4	KW.04766.4-3
Screw Main Cutter for SB 6	2	Eccentric B=5	4	KW.04766.4-5
Screw Main Cutter for SB 8	2	Grub Screw M5x12	10	KW.44316.5
Screw Main Cutter for SB 10	2	Grub Screw M6x16	10	KW.44252.5
Screw Main Cutter for SB 12	2	Grub Screw M6x16	10	KW.44252.5
Nut Spur for SB 4	4	Nut M4xD9.9xd8.45	4	KW.44245.5
Nut Spur for SB 6	4	Nut M4xD9.9xd8.45	4	KW.44245.5
Screw Spur for SB 4	4	Screw TSP M4x3.2	10	KW.44243.5
Screw Spur for SB 6	4	Screw TSP M4x4.2	10	KW.44244.5
Screw Spur for SB 8	4	Countersunk Screw M6x6	10	KW.33767.4-6
Screw Spur for SB 10	4	Countersunk Screw M6x6	10	KW.33767.4-6
Screw Spur for SB 12	4	Countersunk Screw M6x6	10	KW.33767.4-6

Aigner
WERKZEUGE

e-mail:office@aigner-werkzeuge.at
www.aigner-werkzeuge.at

MBM.....Minimum Order Quantity

Blattformat: **A4** All dimensions in mm

Zchnng.-Nr. KW.43030.4 | 00

C303-1