

# DP-Top-Layer-Milling-Cutter Konstantin®

C287-1

cutting material <b>DP</b>	feed <b>MEC</b>	number of teeth <b>Z 2</b>
-------------------------------	--------------------	-------------------------------

**Design:**

- Cutter head with replaceable DP cutters
- Tool body in light alloy
- Cutting elements tipped with DP (DIA)
- Drawing Cut
- Can be re-sharpened 2 to 3 times

**Application:**

- Suitable for pre-milling the cover layers (climate decks) on door rebate geometries, or preparatory (pre-cutting) for joint milling of flush fitting doors

**Workpiece material:**

- Panel materials and cover layers made of HDF/MDF in connection with aluminum-inserts 0.5mm thick

**Machine:**

- CNC machining centres

**Scope of supply:**

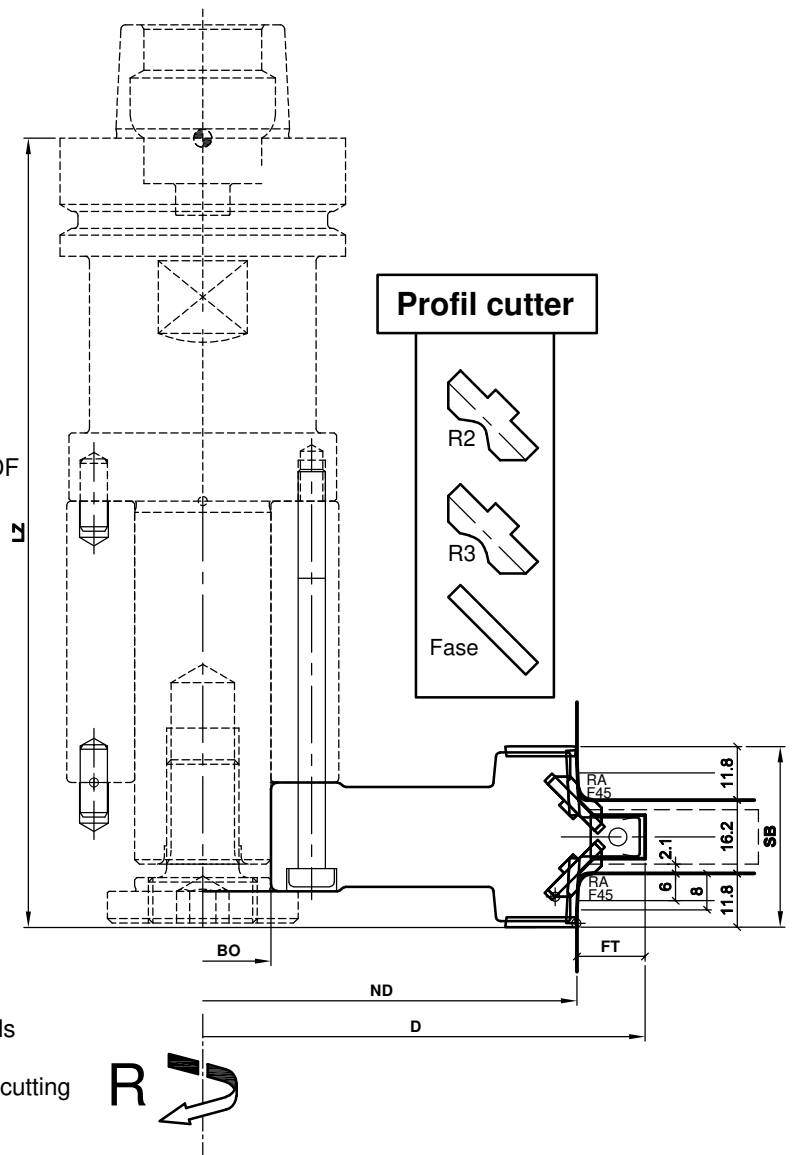
- Tool body including DP cutters
- Torx key T25
- Also optionally assembled (and balanced) (MS):  
Mounted on milling arbor HSK-F 63 (C905-4530xx): C415-...-F1  
Mounted on milling arbor HSK-F 63 (C905-8030xx): C415-...-F2

**Special features:**

- DIA-changeable cutters for abrasive panel materials
- Possibility for chamfering of door drop seals
- All-round protection thanks to reversible protective cutting edges


**Additional Information:**

- A torque wrench (see C986-D315) is recommended when changing the cutters



D	ND	SB	FT	Bo	LZ	Z	R/L	RA	n max.	Ident-No.
195	165	39.8	15	30		2	R	R2-R3/F45	8100	C287-1195R
195	165	39.8	15	30	139.0	2	R	R2-R3/F45	8100	C287-1195R-F1
195	165	39.8	15	30	174.0	2	R	R2-R3/F45	8100	C287-1195R-F2

Spare Parts				
Description	Qty.	Dimensions	MBM	Ident-No.
DP Main Cutter	4	14.5x14.1x4.7	2	KW.12000.7/B02
DP Spur	4	14.5x14.1x4.7	2	KW.12000.7/B02
Replaceable knife for rounding cutter R2	4	14.5x14.9x6.8	2	KW.21574.7/B02
Replaceable knife for rounding cutter R3 (Option)	4	14.5x14.9x6.8	2	KW.21576.7/B02
Replaceable knife for bevel cutter (Option)	4	14.5x14.1x4.7	2	KW.12000.7/B02
Reversible cutter	2	9.6x12x1.5	2	WMN9.6x12/U
Clamping screw	12	Tapered screw T25 M6x14	10	KW.93706.4-14

 <p>e-mail:office@aigner-werkzeuge.at www.aigner-werkzeuge.at</p>	MS.....Machine Adaptor	Blattformat: <b>A4</b>	All dimensions in mm Zchnng.-Nr. KW.42871.4   00 <h1>C287-1</h1>
	Z.....No. of teeth		

