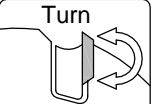
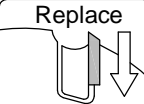


# PM-Door-Rebate-Cutter

C280

Cutting Material <b>TC</b>	Number of Teeth <b>Z 2</b>	Feed <b>MEC</b>	Turn 	Replace 
-------------------------------	-------------------------------	--------------------	---	--

**Design:**

- Tool body in light alloy
- No. of Teeth = 2
- TC profile cutters
- TC indexable cutter
- TC positive spur R1.5

**Application:**

- Rebating of interior doors

**Workpiece Material:**

- Solid wood and panel materials

**Machine:**

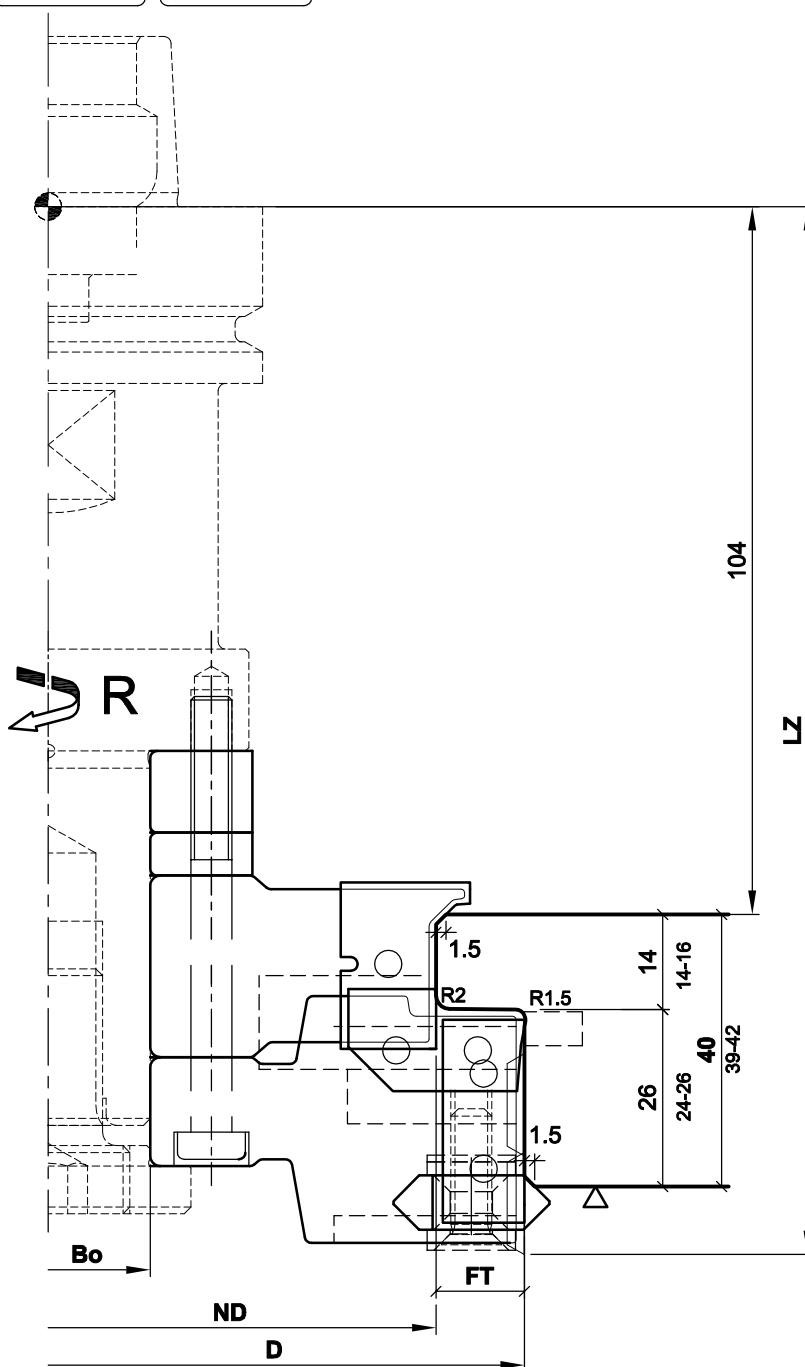
- CNC machining centres

**Scope of Supply:**

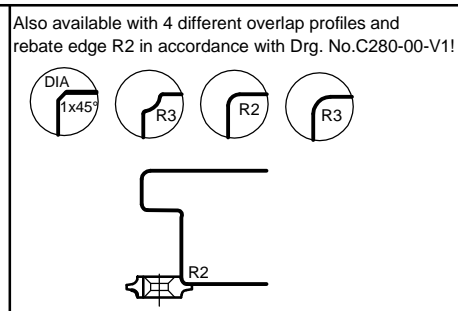
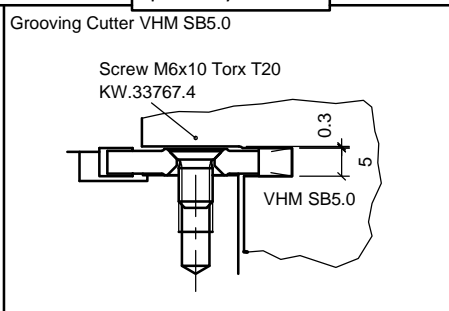
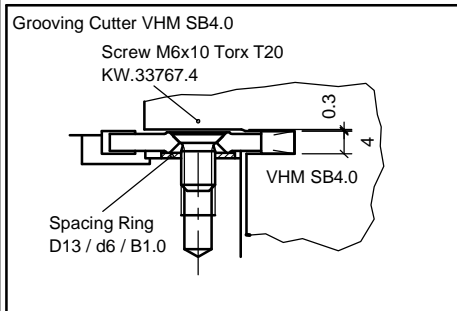
- 2-piece tool set incl. cutter PM.44599.5/M40 chamfer pre-assembled  
If another cutter is to be fitted it must be stated at the time of ordering  
The possible profile cutters can be seen on the following page
- Optionally also assembled (and balanced) (MS):  
Assembled on cutter arbor HSK-F 63 (C905-8030xx): C280-...-F2
- (Optional) 2 solid TC seal groove cutters as required for the rebate cutter
- (Optional) 4 different overlap profiles as required
- Associated key with handle
- Spacing rings

**Special Features:**

- Positive spur R1.5
- Various edge cutters and profile cutters for overlaps possible



Optionally Available




**Aigner**  
WERKZEUGE  
e-mail:office@aigner-werkzeuge.at  
www.aigner-werkzeuge.at

MS.....Machine Adaptor

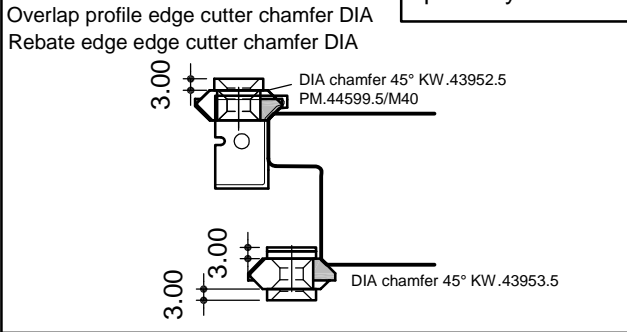
Blattformat: **A4** All dimensions in mm  
Zchnng.-Nr. KW.42800.4 | 00  
**C280**

D	ND	FT	Bo	LZ	Z	R/L	n max.	Ident-No.
140	114	13	30		2	R	9800	C280-13
140	114	13	30	154	2	R	9800	C280-13-F2
140	112	14	30		2	R	9800	C280-14
140	112	14	30	154	2	R	9800	C280-14-F2
140	110	15	30		2	R	9800	C280-15
140	110	15	30	154	2	R	9800	C280-15-F2
140	108	16	30		2	R	9800	C280-16
140	108	16	30	154	2	R	9800	C280-16-F2

Spare Parts				
Description	Qty.	Dimensions	MBM	Ident-No.
Main cutter chamfer	2	25x20x2	2	PM.44599.5/M40
Main cutter R2 (option)	2	25x20x2	2	PM.44600.5/M40
Main cutter R3 (option)	2	25x20x2	2	PM.44601.5/M40
Main cutter R3 concave fillet (option)	2	25x20x2	2	PM.44604.5/M40
Indexable cutter	2	30x12x1.5	10	WMF30x12/U
Spur for C280-13	2	26x15x2.0	2	PM.50696.5
Spur for C280-14	2	26x15x2.0	2	PM.45400.5
Spur for C280-15	2	26x15x2.0	2	PM.44596.5
Spur for C280-16	2	26x15x2.0	2	PM.44687.5
Circumference cutter	2	15x15x2.5	10	KW.18065.5
Edge cutter chamfer	2	23x15x8	2	KW.12465.5
Grooving cutter SB5.0 (option)	2	34x16x5.0	2	VHMSB5.0
Grooving cutter SB4.0 (option)	2	34x16x4.0	2	VHMSB4.0
Screw spur	4	Round-head screw T15 M4x8	10	KW.44236.5
Screw circumference cutter	2	Countersunk screw T20 M6x10	10	KW.33767.4-10
Screw edge cutter	2	Countersunk screw T20 M6x20	10	KW.33767.4-20
Screw grooving cutter	2	Countersunk screw T20 M6x10	10	KW.33767.4-10

 <p>e-mail:office@aigner-werkzeuge.at www.aigner-werkzeuge.at</p>	Z.....No. of Teeth	Blattformat: <b>A4</b>	<small>All dimensions in mm</small> Zchnng.-Nr. KW.42800.4   01
	n max.....Max. Speed (rpm)	<b>C280-1</b>	
MBM.....Minimum Order Quantity			

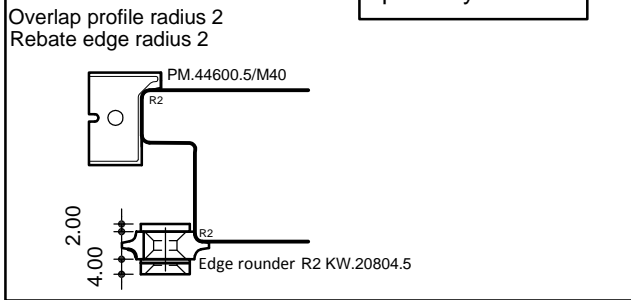
Optionally Available



### Spare Parts

Description	Qty.	Dimensions	MBM	Ident-No.
Main cutter chamfer	2	25x20x2	2	PM.44599.5/M40
Indexable cutter	2	30x12x1.5	10	WMF30x12/U
Circumference cutter	2	15x15x2.5	10	KW.18065.5
Edge cutter chamfer DIA top (option)	2	23x15x8	2	KW.43952.5
Edge cutter chamfer DIA bottom (Opt.)	2	23x15x8	2	KW.43953.5

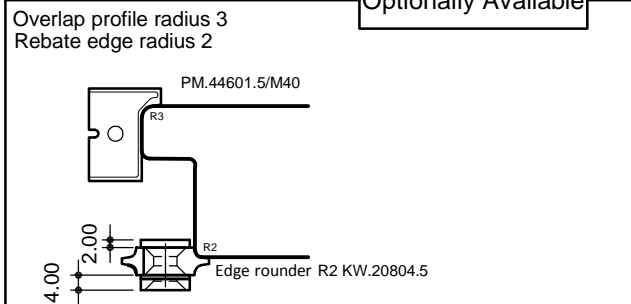
Optionally Available



### Spare Parts

Description	Qty.	Dimensions	MBM	Ident-No.
Main cutter R2	2	25x20x2	2	PM.44600.5/M40
Indexable cutter	2	30x12x1.5	10	WMF30x12/U
Circumference cutter	2	15x15x2.5	10	KW.18065.5
Edge rounder R2	2	23x15x8	2	KW.20804.5

Optionally Available



### Spare Parts

Description	Qty.	Dimensions	MBM	Ident-No.
Main cutter R3	2	25x20x2	2	PM.44601.5/M40
Indexable cutter	2	30x12x1.5	10	WMF30x12/U
Circumference cutter	2	15x15x2.5	10	KW.18065.5
Edge rounder R2	2	23x15x8	2	KW.20804.5



e-mail: office@aigner-werkzeuge.at  
www.aigner-werkzeuge.at

MBM.....Minimum Order Quantity

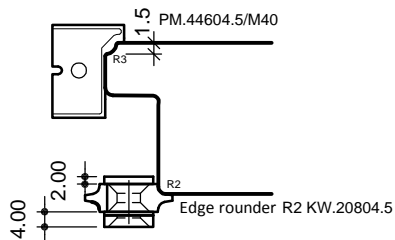
Blattformat: **A4**

Zchnng.-Nr. KW.42800.4 | 00

# C280-00-V1

Optionally Available

Overlap profile concave fillet radius 3  
Rebate radius 2



**Spare Parts**

Description	Qty.	Dimensions	MBM	Ident-No.
Main cutter concave fillet R3	2	25x20x2	2	PM.44604.5/M40
Indexable cutter	2	30x12x1.5	10	WMF30x12/U
Circumference cutter	2	15x15x2.5	10	KW.18065.5
Edge rounder R2	2	23x15x8	2	KW.20804.5



e-mail:office@aigner-werkzeuge.at  
www.aigner-werkzeuge.at

MBM.....Minimum Order Quantity

Blattformat: **A4**

Zchnng.-Nr. KW.42800.4 | 00

**C280-00-V2**