

Design:

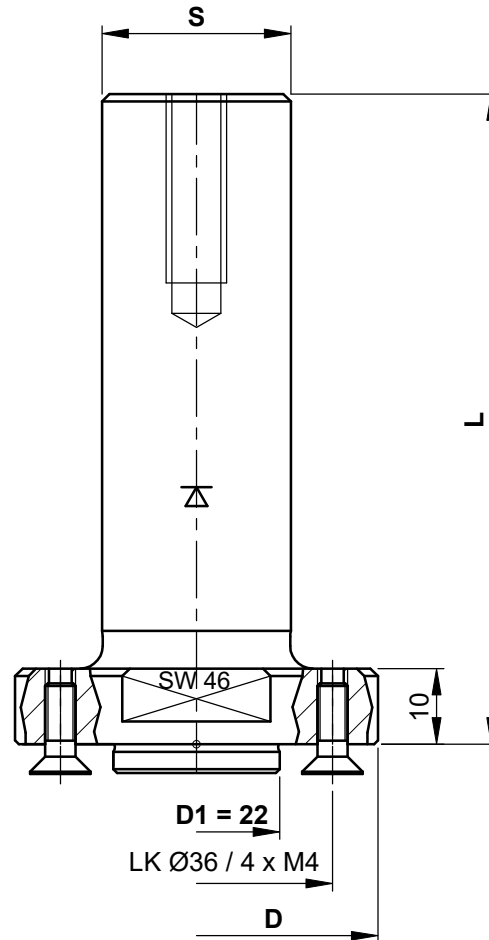
- Made of steel with shank fit h6 suitable for shrink-fitting

Application:

- Restriction: Only suitable for biscuit joiner cutters and Clamex cutters with a Ø22 bore


Scope of Supply:

- Screws are included.



D	D1	L	S	Ident-No.
48	22	86	25	C277-F86S

Spare Parts				
Description	Qty.	Dimensions	MBM	Ident-No.
Countersunk screw	4	M4x12 ISK SW2.5	10	KW.44318.5

 <p>e-mail:office@aigner-werkzeuge.at www.aigner-werkzeuge.at</p>	MBM.....Minimum Order Quantity	Blattformat: A4
		Zchnng.-Nr. KW.42770.4 00
		C277-F