

DP-Shank-Grooving-Cutter "Konstantin®-Mini"

C243

Cutting Material
DP

Number of Teeth
Z1+1

Feed
MEC

Design:

- Body in steel; with DP plunging cutters
- Z1 + 1 in three chip grooves; with axial angle
- Cutting elements fitted with DP (DIA)
- Shank grooving cutter with replaceable DP cutters
- Deep chip flutes for better chip capture
- Shank fit h6

Application:

- Grooving, jointing, rebating, sizing (cutting off)

Workpiece Material:

- Panel materials

Machine:

- CNC machining centres

Scope of Supply:

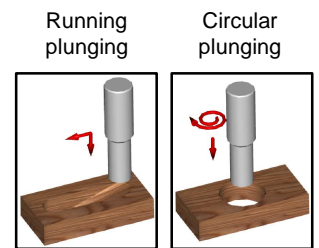
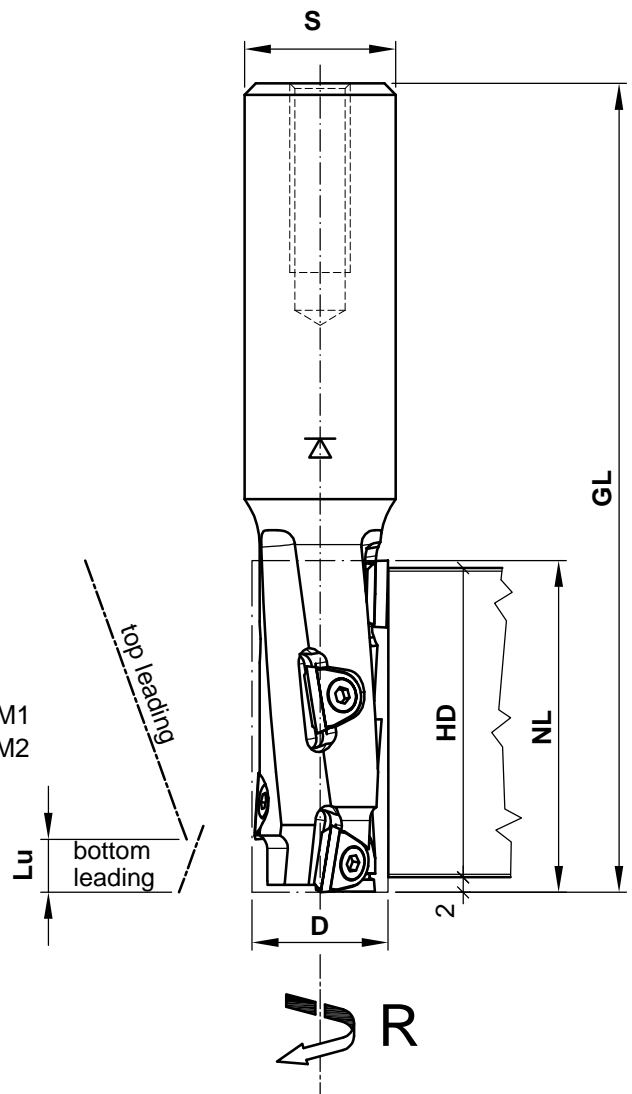
- Principally with a length adjustment screw
With use in shrink chuck HSK-F 63 (C915)
without a length adjusting screw
- Optionally also assembled (MS):
Assembled in shrink chuck HSK-F 63 (C915): C243-...-M1
Assembled in collet chuck HSK-F 63 (C910): C243-...-M2
- Tool body incl. DP cutters
- Key with handle Torx T10

Special Features:

- Diameter-constant shank grooving cutters
- All cutters interchangeable with each other (except for the plunging cutters)
- Cutters replaceable on site
- Suitable for 5-axis machining centres that have no possibility for radius correction when "line milling"
- Very good chip removal


Additional Information:

- A torque wrench is recommended when changing the cutters (see C986-FT1810)



D	NL	GL	Lu	HD	S	Z	R/L	n max.	Ident-No.
16	22.9	90	7	19	16	1x3+1Q	R	24000	C243-1622916R
16	22.9	90	7	19	20	1x3+1Q	R	24000	C243-1622920R
16	22.9	90	7	19	25	1x3+1Q	R	24000	C243-1622925R
16	43.9	102	7	41	16	1x6+1Q	R	24000	C243-1643916R
16	43.9	102	7	41	16	1x6+1Q	L	24000	C243-1643916L
16	43.9	105	7	41	20	1x6+1Q	R	24000	C243-1643920R
16	43.9	105	7	41	20	1x6+1Q	L	24000	C243-1643920L
16	43.9	110	7	41	25	1x6+1Q	R	24000	C243-1643925R
16	43.9	110	7	41	25	1x6+1Q	L	24000	C243-1643925L
18	43.9	105	7	41	20	1x6+1Q	R	24000	C243-1843920R
18	43.9	105	7	41	20	1x6+1Q	L	24000	C243-1843920L
18	43.9	110	7	41	25	1x6+1Q	R	24000	C243-1843925R
18	43.9	110	7	41	25	1x6+1Q	L	24000	C243-1843925L

Spare Parts				
Description	Qty.	Dimensions	MBM	Ident-No.
Replaceable circumference cutter	3/6	9x8x2.5	2	KW.15766.7/B25
Replaceable plunging cutter for Ø16	1	7x8x2.5	2	KW.15768.7/B25
Replaceable plunging cutter for Ø18	1	8x8x2.5	2	KW.19099.7/B25
Clamping screw	4/7	Countersunk screw M3x6 T10	10	KW.15714.7

 e-mail:office@aigner-werkzeuge.at www.aigner-werkzeuge.at	Z.....No. of Teeth	Blattformat: A4 <small>All dimensions in mm</small>
	n max.....Max. Speed (rpm)	
MBM.....Minimum Order Quantity	C243-1	