

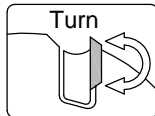
WM-Swivel-Cutter-Head for CNC

C209

Cutting Material
TC

Number of Teeth
Z 2

Feed
MEC



Design:

- Tool body in steel
- Two TC indexable cutters in a swivellable cutter mount
Steplessly adjustable via the scale and / or with a setting aid for positioning via increments of 7.5°
Swivel range: Upward 0-45°; downward 0-90°

Application

- For the chamfering and jointing of workpieces

Workpiece Material:

- Solid wood and panel materials

Machine:

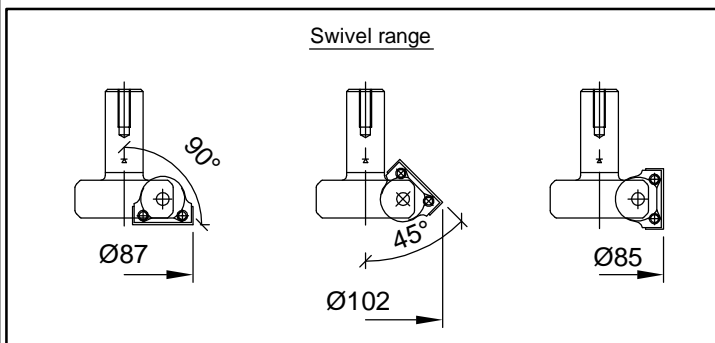
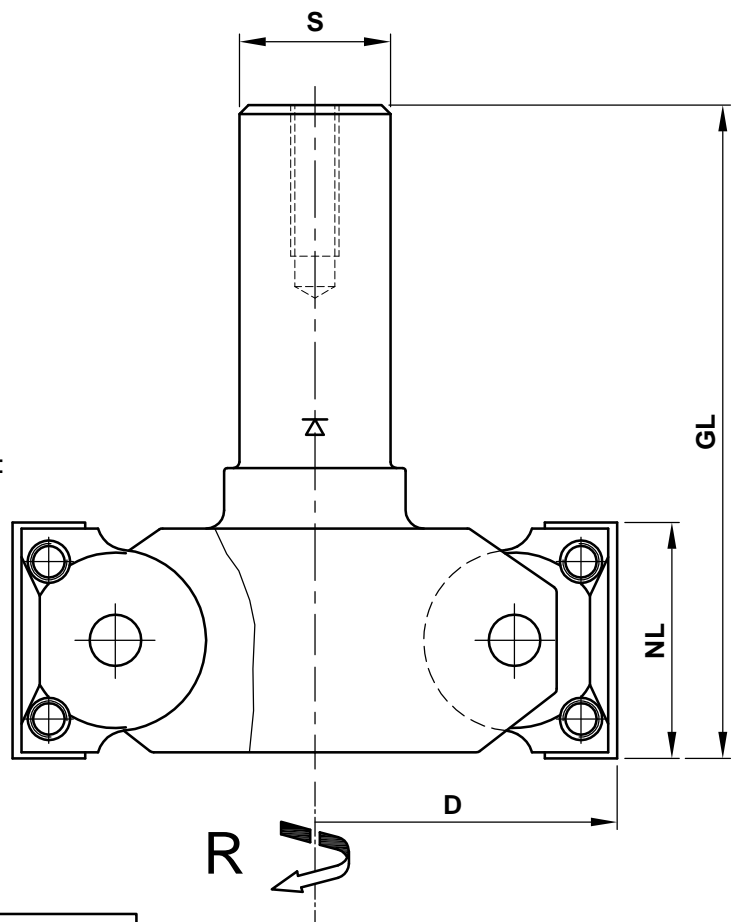
- CNC machining centres

Scope of Supply:

- Tool body incl. indexable cutters
- Principally with a length adjusting screw;
With use in shrink chuck HSK-F 63 (C915)
without a length adjusting screw
- Optionally also assembled (and balanced) (MS):
Assembled in shrink collet
HSK-F 63 (C915): C209-....-M1
Assembled in collet chuck
HSK-F 63 (C910): C029-....-M2
- Key with handle SW4
- Allen key SW3


Special Features:

- Can be swivelled downward by 90°



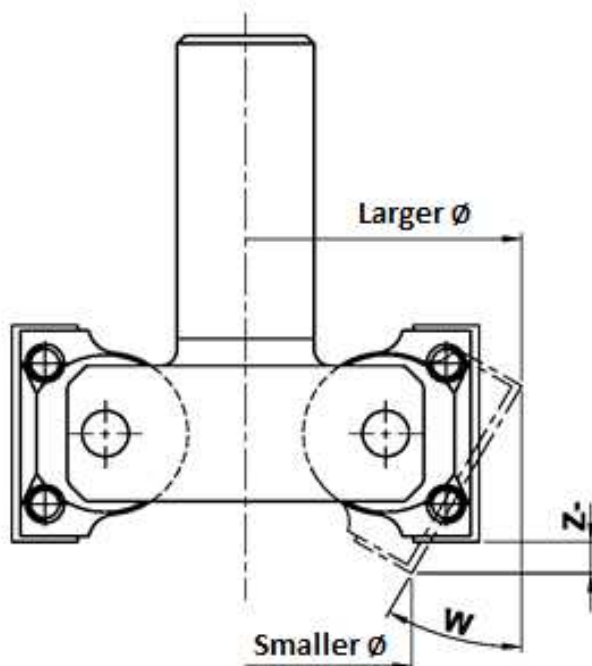
D	NL	GL	S	Z	R/L	n max.	Ident-No.
85	39.5	92.5	25	2	R	12000	C209-0854025

Spare Parts		Qty.	Dimensions	MBM	Ident-No.
Indexable cutter		2	39.5x12x1.5	10	WMN39.5x12/U
Screw main cutter		4	Grub screw	10	KW.53124.5

 <p>e-mail:office@aigner-werkzeuge.at www.aigner-werkzeuge.at</p>	MS.....Machine Adaptor	Blattformat: A4	<small>All dimensions in mm</small> Zchnng.-Nr. KW.42090.4 01
	Z.....No. of Teeth		
n max.....Max. Speed (rpm)	C209		
MBM.....Minimum Order Quantity			

Swivelling Downward 0-90°

W	Larger Ø	Smaller Ø	Z "-"
0,0°	85,000	85,000	0,000
7,5°	89,839	79,528	-2,246
15,0°	93,963	73,516	-4,115
22,5°	97,300	67,068	-5,576
30,0°	99,793	60,293	-6,604
37,5°	101,400	53,308	-7,181
45,0°	102,094	46,232	-7,297
52,5°	101,862	39,187	-6,950
60,0°	100,708	32,292	-6,146
67,5°	98,653	25,666	-4,900
75,0°	95,730	19,422	-3,231
82,5°	91,992	13,667	-1,170
90,0°	87,500	8,500	1,250



Swivelling Upward 0-45°

W	Larger Ø	Smaller Ø	Z "+"
0,0°	85,000	85,000	0,000
7,5°	89,839	79,528	2,584
15,0°	93,963	73,516	5,461
22,5°	97,300	67,068	8,583
30,0°	99,793	60,293	11,896
37,5°	101,400	53,308	15,343
45,0°	102,094	46,232	18,866

