

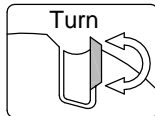
WM-Planing Cutter for CNC

C170

Cutting Material
TC

Number of Teeth
Z 3

Feed
MEC



Design:

- Z3
- Shank fit h6

Application:

- Face milling
- Rebating
- For feeds from 6 to 12 mm/min

Workpiece material:

- Solid wood and panel materials

Machine:

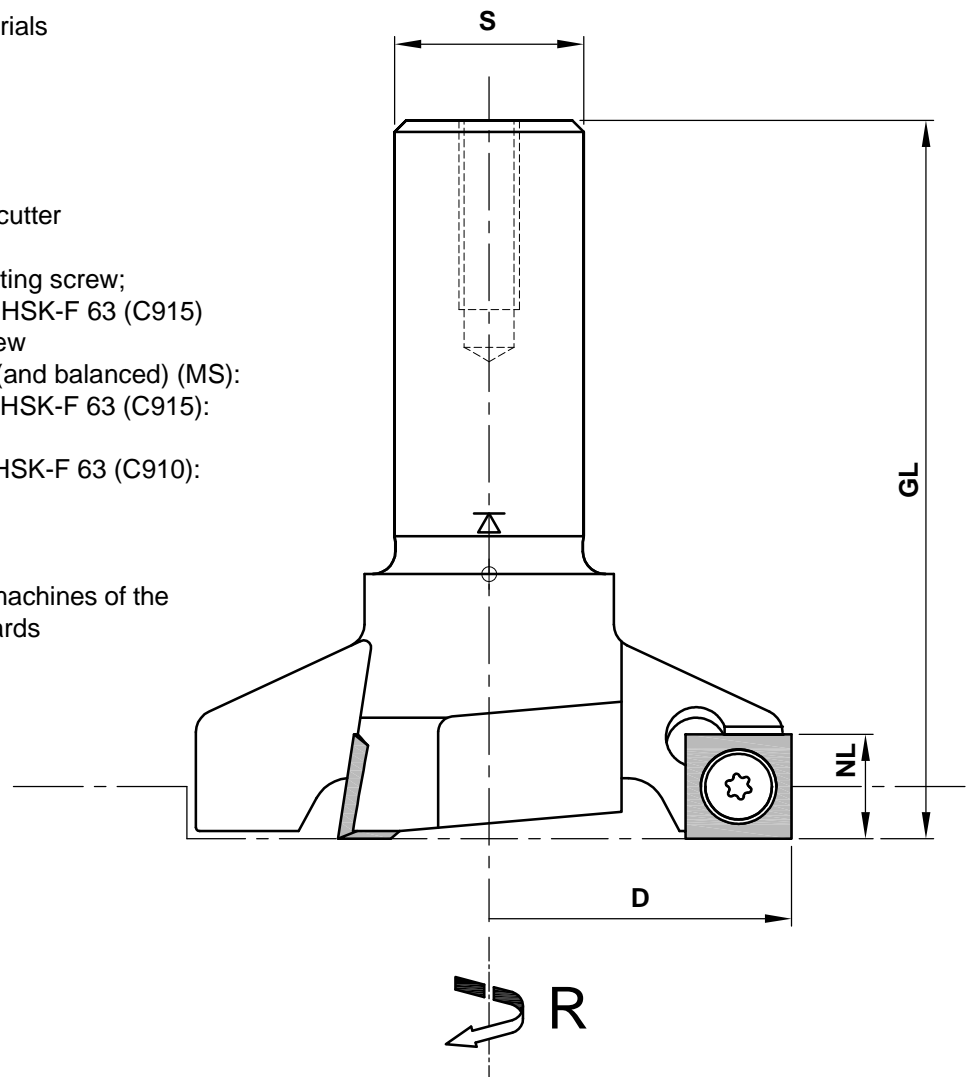
- CNC machining centres

Scope of supply:

- Tool body including profile cutter
- Key with handle Torx T40
- Principally with a length setting screw;
For use with shrink chucks HSK-F 63 (C915)
without a length setting screw
- Also optionally assembled (and balanced) (MS):
Assembled in shrink chuck HSK-F 63 (C915):
C170-....-M1
Assembled in collet chuck HSK-F 63 (C910):
C170-....-M2

Special features:

- For the milling on nesting machines of the plane surfaces of cover boards



D	NL	GL	S	Z	R/L	n max.	Ident-No.
80	13.8	95	25	3	R	12000	C170-8014

Spare Parts				
Description	Qty.	Dimensions	MBM	Ident-No.
Circumference Cutter	3	14x14x2.0	10	VS14x14x2.0/U
Screws for Circumference Cutters	3	M6x10	10	KW.33767.4-10

<p>e-mail:office@aigner-werkzeuge.at www.aigner-werkzeuge.at</p>	MS.....Machine Adaptor	Blattformat: A4	<small>All dimensions in mm</small> Zchnng.-Nr. KW.41700.4 00
	Z.....Number of Teeth		
	n max.....Maximum Rotational Speed (rpm)	C170	
	MBM.....Minimum Order Quantity		