

Cutting Material DP	Number of Teeth Z 2	Feed MAN
-------------------------------	-------------------------------	--------------------

Design:

- Tool body in steel
- No. of teeth = 2
- Cutting elements fitted with DP (DIA)
- Rounding cutter with replaceable DP knives
- Deep chip spaces for better chip capture
- Shank fit h6

Application:

- Rounding cutter with ball bearing

Workpiece Material:

- Panel materials

Machine:

- Portable router

Scope of Supply:

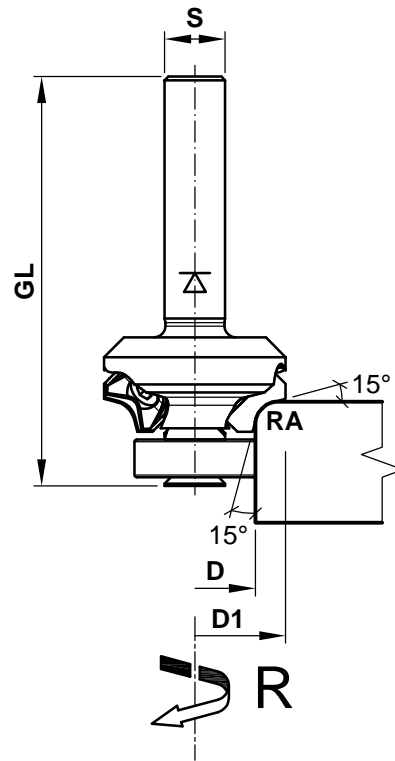
- Toolbody including DP knives
R1.5 is pre-assembled at R1-R2
R2 is pre-assembled at R2-R3
R3 is pre-assembled at R3-R4
If another knife is to be fitted, it must be stated at the time of the order, the possible profile knives can be seen bellow
- Handle key Torx T10
- Grooved ball bearing
- Robust twist pack with transparent cover

Special Features:

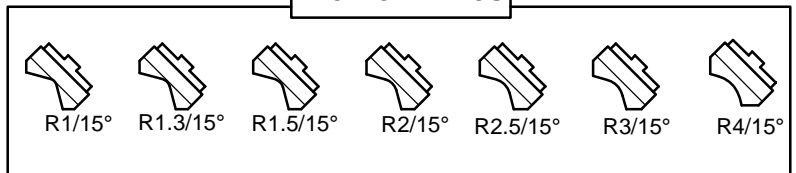
- Constant diameter rounding cutter
- All knives interchangeable
- Knives can be replaced on site
- Very good chip removal

Additional Information:

- A torque wrench is recommended for the changing of the knives (see C986-FT1810)



Profile Knives




D	D1	GL	S	Z	RA	G	R/L	n max.	Ident-No.
16	24	51.1	6	2	R1.5	R1-R2	R	24000	C166-406R1-R2
16	24	51.1	6	2	R2	R2-R3	R	24000	C166-406R2-R3
16	24	51.1	6	2	R3	R3-R4	R	24000	C166-406R3-R4
16	24	54.1	8	2	R1.5	R1-R2	R	24000	C166-408R1-R2
16	24	54.1	8	2	R2	R2-R3	R	24000	C166-408R2-R3
16	24	54.1	8	2	R3	R3-R4	R	24000	C166-408R3-R4
16	24	59.6	12	2	R1.5	R1-R2	R	24000	C166-412R1-R2
16	24	59.6	12	2	R2	R2-R3	R	24000	C166-412R2-R3
16	24	59.6	12	2	R3	R3-R4	R	24000	C166-412R3-R4

Aigner
WERKZEUGE
e-mail:office@aigner-werkzeuge.at
www.aigner-werkzeuge.at

Z.....No. of teeth
G.....Size
n max.....Max speed (rpm)

Blattformat: **A4** All dimensions in mm
Zchnng.-Nr. KW.41664.4 | 02
C166-4

Spare Parts				
Description	Qty.	Dimension	MBM	Ident-No.
C166-406R1-R2 / C166-408R1-R2 / C166-412R1-R2				
Replaceable knife R1.0 (option)	2	9x9x2.5	2	KW.21679.7/B25
Replaceable knife R1.3 (option)	2	9x9x2.5	2	KW.21680.7/B25
Replaceable knife R1.5	2	9x9x2.5	2	KW.21681.7/B25
Replaceable knife R2.0 (option)	2	9x9x2.5	2	KW.21682.7/B25
C166-406R2-R3 / C166-408R2-R3 / C166-412R2-R3				
Replaceable knife R2.0	2	9x9x2.5	2	KW.21682.7/B25
Replaceable knife R2.5 (option)	2	9x9x2.5	2	KW.21683.7/B25
Replaceable knife R3.0 (option)	2	9x9x2.5	2	KW.21684.7/B25
C166-406R3-R4 / C166-408R3-R4 / C166-412R3-R4				
Replaceable knife R3.0	2	9x9x2.5	2	KW.21684.7/B25
Replaceable knife R4.0 (option)	2	9x9x2.5	2	KW.24151.7/B25
Spare Parts				
Description	Qty.	Dimensions	MBM	Ident-No.
Clamping screw replaceable knife	2	Countersunk screw M3x6 T10	10	KW.15714.7
Grooved ball bearing Ø16	1	16x6x5	1	KW.52986.5
Screw for grooved ball bearing Ø16	1	Countersunk screw M4x6	10	KW.53370.5
 e-mail:office@aigner-werkzeuge.at www.aigner-werkzeuge.at	MBM....Minimum Order Quantity		Blattformat: A4 <small>All dimensions in mm</small>	
			Zchnng.-Nr. KW.41664.4 02	
			C166-4-1	