

DP-Cutting-Off/Trimming Cutter MAN Konstantin®-Mini C166-2

Cutting Material DP	Number of Teeth Z 1	Number of Teeth Z 2	Feed MAN
-------------------------------	-------------------------------	-------------------------------	--------------------

Design:

- Tool body in steel
- Z1 or Z2 top leading cutter
- Cutting elements tipped with DP (DIA)
- Shank cutter with replaceable DP cutters
- Deep chip flutes for better chip capture
- Shank fit h6

Application:

- Edge trimming cutter with ball bearing at the bottom, hence the 1:1 copying of templates is possible
- For subsequent cutting of nesting grooves

Workpiece Material:

- Panel materials

Machine:

- Portable router

Scope of Supply:

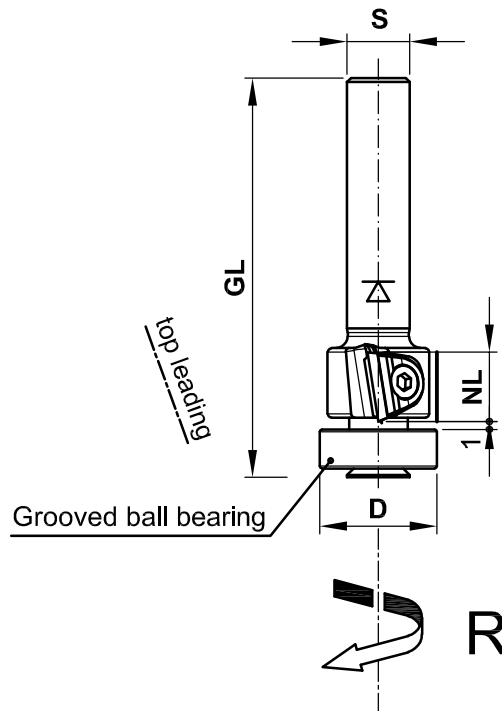
- Tool Body including DP cutter
- Torx handle key T10
- Grooved ball bearing
- Robust twist pack with a transparent cover

Special Features:

- Constant diameter edge trimming cutter
- All knives interchangeable
- Knives can be replaced on site
- Very good chip removal


Additional Information:

- A torque wrench is commended for the changing of the cutter (see C986-FT1810)



D	NL	GL	S	Z	R/L	n max.	Ident-No.
15	8.9	48.5	6	1	R	24000	C166-21500906R
15	8.9	51.0	8	1	R	24000	C166-21500908R
19	8.9	49.5	6	2	R	24000	C166-21900906R
19	8.9	52.0	8	2	R	24000	C166-21900908R

Spare Parts				
Description	Qty.	Dimensions	MBM	Ident-No.
Replaceable knife circumference cutter	1/2	9x8x2.5	2	KW.15766.7/B25
Clamping screw circumference cutter	1/2	Countersunk screw M3x6 T10	10	KW.15714.7
Grooved ball bearing Ø15	1	15x6x5	1	KW.53134.5
Grooved ball bearing Ø19	1	19x6x6	1	KW.52987.5
Screw for Grooved ball bearing Ø15	1	Countersunk screw M4x6	10	KW.53370.5
Screw for Grooved ball bearing Ø19	1	Countersunk screw M4x6	10	KW.53370.5

 e-mail:office@aigner-werkzeuge.at www.aigner-werkzeuge.at	Z.....No. of teeth	Blattformat: A4	All dimensions in mm Zchn.-Nr. KW.41662.4 00 C166-2
	n max.....Maximal Rotational Speed (rpm)	Zchn.-Nr. KW.41662.4 00	
	MBM.....Mimimum Order Quantity		