

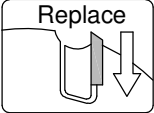
# PM-Gluing Profile Mitre Cutter 45°

C125

Cutting Material  
**TC**

Number of Teeth  
**Z 2**

Feed  
**MAN**



**Design:**

- Tool body in steel
- Z2
- TC profile cutters
- Drawing cut

**Application:**

- For the production of mitred joints 45° with trapezoidal shaped groove / tongue profiles on spindle moulding machines for body parts or cladding

**Workpiece material:**

- Solid wood and panel materials

**Machine:**

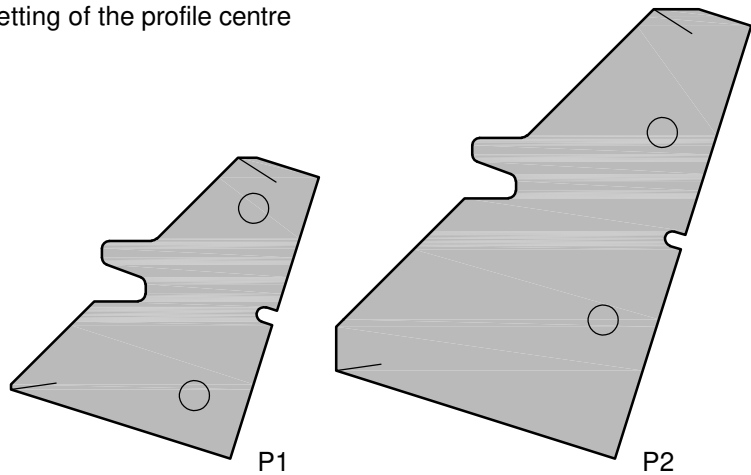
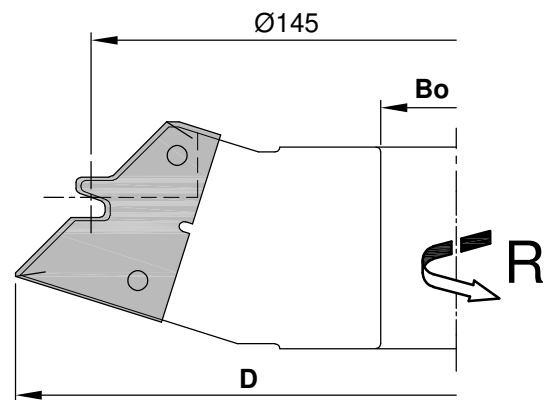
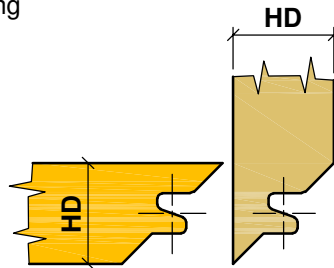
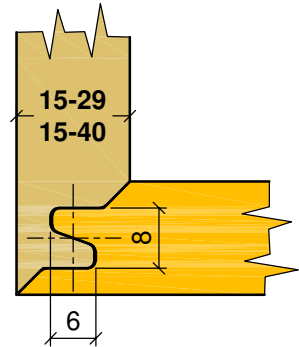
- Spindle moulder

**Scope of supply:**

- Tool body including profile cutter
- Key with handle Torx T40

**Special features:**

- 2 cutter qualities for optimum tool life (MDF and / or chipboard and solid wood)
- Integrated end-stop surface for easing setting of the profile centre



D	HD	Bo	Z	WE	P	R/L	DZ	Ident-No.
175	15-29	30	2	MDF and / or chipboard	1	R	4500-7500	C125-1-PW
175	15-29	30	2	Solid wood	1	R	4500-7500	C125-1-MH
187	15-40	30	2	MDF and / or chipboard	2	R	4000-7000	C125-2-PW
187	15-40	30	2	Solid wood	2	R	4000-7000	C125-2-MH

Spare Parts					
Description	Qty.	Dimensions	P	MBM	Ident-No.
Profile Cutter P1 for MDF and / or Chipboard	2	40x30x2	1	2	PM.12312.5/U35
Profile Cutter P1 for solid wood	2	40x30x2	1	2	PM.12312.5/M40
Profile Cutter P2 for MDF and / or Chipboard	2	60x40x2	2	2	PM.15772.5/U35
Profile Cutter P2 for Solid Wood	2	60x40x2	2	2	PM.15772.5/M40

**Aigner**  
WERKZEUGE  
e-mail:office@aigner-werkzeuge.at  
www.aigner-werkzeuge.at

Z.....No. of teeth | WE.....Workpiece Material  
P.....Profile Variant  
DZ.....Speed Range (rpm)  
MBM....Minimum Order Quantity

Blattformat: **A4** All dimensions in mm  
Zchnng.-Nr. KW.41250.4 | 01  
**C125**