

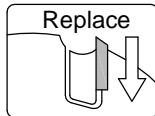
PM-Rounding Cutter

C072

Cutting Material
TC

Number of Teeth
Z 2

Feed
MAN



Design:

- Tool body in light alloy
- Number of teeth = 2
- TC profile cutters
- Drawing cut
- Bore up to maximum Ø40 possible for an additional charge

Application:

- Rounding and quarter round milling in solid wood and panel materials

Workpiece material:

- Solid wood and panel materials

Machine:

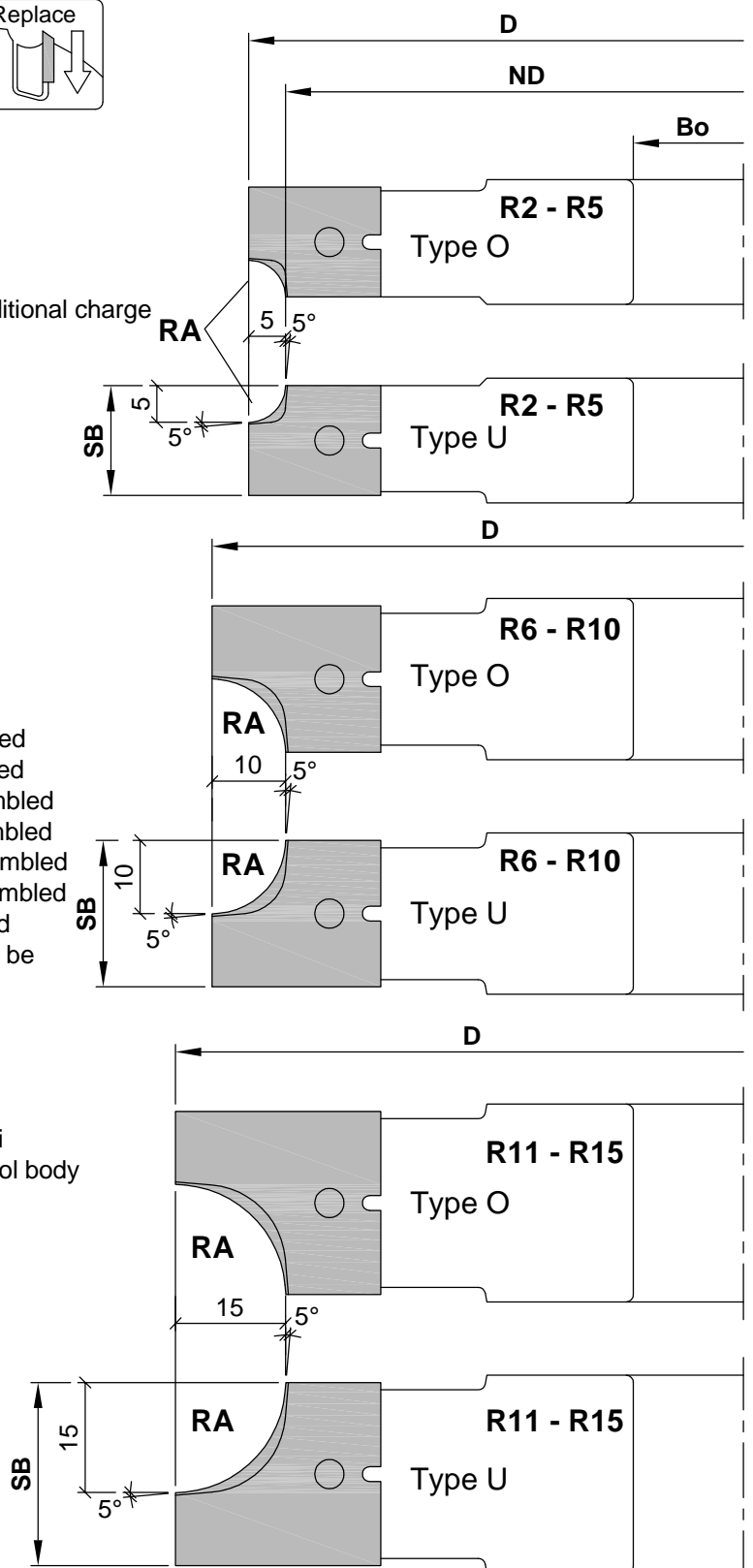
- Spindle moulder

Scope of supply:

- Tool body including profile cutters
C072-25-O/PM.09533.5/U35 R5 pre-assembled
C072-25-U/PM.09523.5/U35 R5 pre-assembled
C072-610-O/PM.09515.5/U35 R10 pre-assembled
C072-610-U/PM.09505.5/U35 R10 pre-assembled
C072-1115-O/PM.09555.5/U35 R15 pre-assembled
C072-1115-U/PM.09545.5/U35 R15 pre-assembled
If another cutter is to be fitted it must be stated when ordering the possible profile cutters can be seen on the following page
- Allen key with handle SW5 (for size 1)
- Key with handle Torx T40

Special features:

- Same zero diameter (run-off edge) for all radii
- Different radii mountable depending on the tool body



Aigner
WERKZEUGE

e-mail: office@aigner-werkzeuge.at
www.aigner-werkzeuge.at


Blattformat: **A4** all dimensions in mm

Zchnng.-Nr. KW.40720.4 | 00

C072

| D | ND | SB | Bo | Z | Type | R/L | RA | P | DZ | Ident-No. |
|-----|-----|----|----|---|------|-----|---------|-----|-----------|-------------|
| 135 | 125 | 15 | 30 | 2 | O | R | R2-R5 | R5 | 5500-9500 | C072-25-O |
| 135 | 125 | 15 | 30 | 2 | U | R | R2-R5 | R5 | 5500-9500 | C072-25-U |
| 145 | 125 | 20 | 30 | 2 | O | R | R6-R10 | R10 | 5000-9000 | C072-610-O |
| 145 | 125 | 20 | 30 | 2 | U | R | R6-R10 | R10 | 5000-9000 | C072-610-U |
| 155 | 125 | 25 | 30 | 2 | O | R | R11-R15 | R15 | 5000-8500 | C072-1115-O |
| 155 | 125 | 25 | 30 | 2 | U | R | R11-R15 | R15 | 5000-8500 | C072-1115-U |

| Spare Parts | | | | |
|--------------------|------|------------|-----|----------------|
| Description | Qty. | Dimensions | MBM | Ident-No. |
| C072-25-O | | | | |
| Profile Cutter R2 | 2 | 15x18x2 | 2 | PM.09530.5/U35 |
| Profile Cutter R3 | 2 | 15x18x2 | 2 | PM.09531.5/U35 |
| Profile Cutter R4 | 2 | 15x18x2 | 2 | PM.09532.5/U35 |
| Profile Cutter R5 | 2 | 15x18x2 | 2 | PM.09533.5/U35 |
| C072-25-U | | | | |
| Profile Cutter R2 | 2 | 15x18x2 | 2 | PM.09520.5/U35 |
| Profile Cutter R3 | 2 | 15x18x2 | 2 | PM.09521.5/U35 |
| Profile Cutter R4 | 2 | 15x18x2 | 2 | PM.09522.5/U35 |
| Profile Cutter R5 | 2 | 15x18x2 | 2 | PM.09523.5/U35 |
| C072-610-O | | | | |
| Profile Cutter R6 | 2 | 20x23x2 | 2 | PM.09511.5/U35 |
| Profile Cutter R7 | 2 | 20x23x2 | 2 | PM.09512.5/U35 |
| Profile Cutter R8 | 2 | 20x23x2 | 2 | PM.09513.5/U35 |
| Profile Cutter R9 | 2 | 20x23x2 | 2 | PM.09514.5/U35 |
| Profile Cutter R10 | 2 | 20x23x2 | 2 | PM.09515.5/U35 |
| C072-610-U | | | | |
| Profile Cutter R6 | 2 | 20x23x2 | 2 | PM.09501.5/U35 |
| Profile Cutter R7 | 2 | 20x23x2 | 2 | PM.09502.5/U35 |
| Profile Cutter R8 | 2 | 20x23x2 | 2 | PM.09503.5/U35 |
| Profile Cutter R9 | 2 | 20x23x2 | 2 | PM.09504.5/U35 |
| Profile Cutter R10 | 2 | 20x23x2 | 2 | PM.09505.5/U35 |
| C072-1115-O | | | | |
| Profile Cutter R11 | 2 | 25x28x2 | 2 | PM.09551.5/U35 |
| Profile Cutter R12 | 2 | 25x28x2 | 2 | PM.09552.5/U35 |
| Profile Cutter R13 | 2 | 25x28x2 | 2 | PM.09553.5/U35 |
| Profile Cutter R14 | 2 | 25x28x2 | 2 | PM.09554.5/U35 |
| Profile Cutter R15 | 2 | 25x28x2 | 2 | PM.09555.5/U35 |
| C072-1115-U | | | | |
| Profile Cutter R11 | 2 | 25x28x2 | 2 | PM.09541.5/U35 |
| Profile Cutter R12 | 2 | 25x28x2 | 2 | PM.09542.5/U35 |
| Profile Cutter R13 | 2 | 25x28x2 | 2 | PM.09543.5/U35 |
| Profile Cutter R14 | 2 | 25x28x2 | 2 | PM.09544.5/U35 |
| Profile Cutter R15 | 2 | 25x28x2 | 2 | PM.09545.5/U35 |

| | | |
|--|-----------------------|--|
|  <p>e-mail:office@aigner-werkzeuge.at www.aigner-werkzeuge.at</p> | Z.....No. of teeth | Blattformat: A4 <small>all dimensions in mm</small> |
| | P.....Profile variant | |
| DZ.....Speed Range (rpm) | C072-1 | |
| MBM.....Minimum Order Quantity | | |