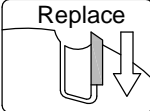


Cutting Material TC	Number of Teeth Z 2	Feed MAN	Replace 
-------------------------------	-------------------------------	--------------------	--

Design:

- Tool body in steel
- No. of Teeth = 2
- TC profile cutters
- Bore up to maximum Ø50 possible for an additional charge

Application:

- For the production of framed furniture doors, cassette ceilings, bench seat back sections, wall panelling, etc.

Workpiece Material:

- Solid wood and panel materials

Machine:

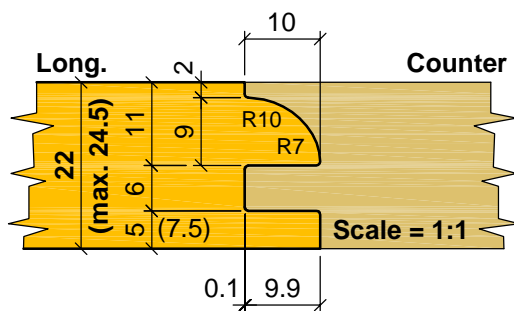
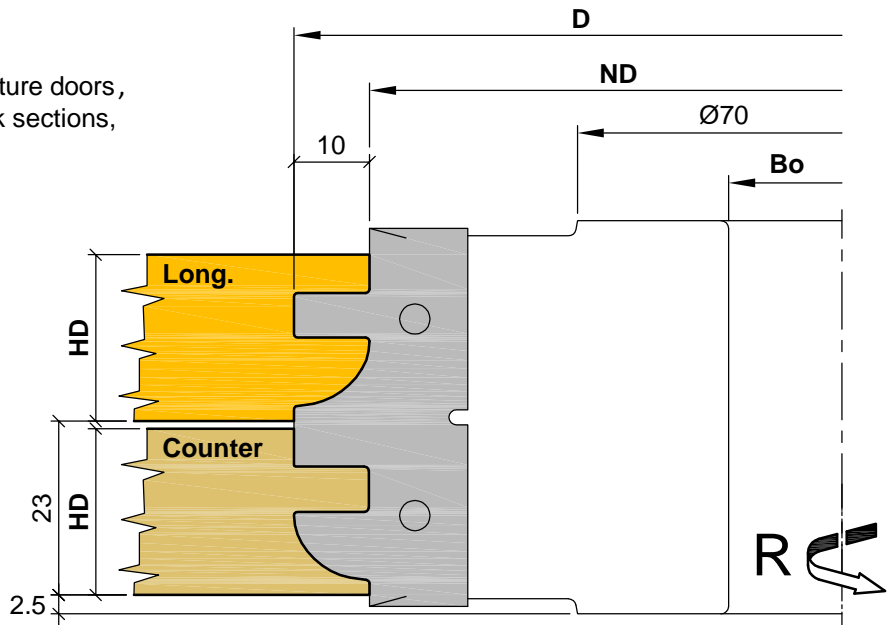
- Spindle moulders

Scope of Supply:

- Tool body incl. profile cutters
- Key with handle Torx T40


Special Features:

- Longitudinal and counter milling with 1 cutter possible by adjusting the height



D	ND	Bo	HD	Z	R/L	DZ	Ident-No.
145	125	30	22-24.5	2	R	5000-9000	C016

Spare Parts			
Description	Qty.	Dimensions	MBM Ident-No.
Profile cutters	2	50x24x2	2 PM.13608.5/M40

 <p>e-mail:office@aigner-werkzeuge.at www.aigner-werkzeuge.at</p>	Z.....No. of Teeth	Blattformat: A4	<small>All dimensions in mm</small> Zchnng.-Nr. KW.40160.4 00 <h1>C016</h1>
	DZ.....Speed Range (rpm)		
	MBM.....Minimum Order Quantity		